

|                                |  |                |                             |                      |
|--------------------------------|--|----------------|-----------------------------|----------------------|
| <b>Model</b>                   | VT2300/2500, Ges5330, Rex1260, NSA CP330 | <b>Volt/Hz</b> | <b>Date of Modification</b> | <b>Serial Number</b> |
| <b>Modified Article</b>        | Parts Catalog                            |                |                             |                      |
| <b>Reason for Modification</b> | Parts catalog correction                 |                |                             |                      |
|                                |  |                |                             |                      |
|                                |  |                |                             |                      |

Correct your parts catalog as follows:

Page 9:

1. Description correction

| NRG/Ricoh | Index | Part Number | Incorrect Description                   | Correct Description                      |
|-----------|-------|-------------|---|--|
| NRG       | 5     | C2122858    | Decal - Replacing The Drum Unit - LG/A4 | Decal - Replacing The Drum Unit - A4/TWN |
| NRG       | 18    | C2122801    | Front Cover - LT/B4                     | Front Cover - LT/TWN                     |
| NRG       | 24    | C2122812    | Front Door - A4 (GES)                   | Front Door - A4 (GES 5330)               |
| NRG       | 24    | C2122805    | Front Door - LG (GES)                   | Front Door - LG (GES 5330)               |
| NRG       | 24    | C2122888    | Front Door - B4 (REX)                   | Front Door - TWN (REX 1260)              |
| NRG       | 24    | C2122814    | Front Door - B4 (GES)                   | Front Door - TWN (GES 5330)              |
| NRG       | 24    | C2122881    | Front Door - LG (REX)                   | Front Door - LG (REX 1260)               |
| NRG       | 24    | C2122891    | Front Door - LG (NSA)                   | Front Door - LG (NSA CP330)              |
| NRG       | 24    | C2122886    | Front Door - A4 (REX)                   | Front Door - A4 (REX 1260)               |
| NRG       | 24    | C2122896    | Front Door - A4 (NSA)                   | Front Door - A4 (NSA CP330)              |

T. Ito, Manager  
Copier Technical Support

2. Part number correction

| NRG/Ricoh | Index | Incorrect P/N | Correct P/N              | Description      |
|-----------|-------|---------------|--------------------------|------------------|
| Ricoh     | 16    | C2032425      | → C2032744               | Paper Feed Cover |
| Ricoh     | 24    | C2132411      | → C2132705<br>→ C2132711 | Front Door       |
|           |       |               |                          | Front Door - LT  |
|           |       |               |                          | Front Door - A4  |

Page 23:

1. Not listed

| NRG/Ricoh | Index | Part Number | Description        |
|-----------|-------|-------------|--------------------|
| NRG       | 2     | C2122831    | Lever Bracket - A4 |

Page 31:

1. Part number correction

| NRG/Ricoh | Index | Incorrect P/N | Correct P/N | Description           |
|-----------|-------|---------------|-------------|-----------------------|
| Common    | 106   | 06240220E     | → 08044060  | Spring Pin - 4 x 20mm |
|           |       |               |             | Spring Pin - 4 x 22mm |

Page 37:

1. Description correction

| NRG/Ricoh | Index | Part Number | Incorrect Description           | Correct Description        |
|-----------|-------|-------------|---------------------------------|----------------------------|
| NRG       | 21    | C2122854    | Paper Delivery Cover Sheet - LG | Paper Delivery Cover Sheet |
| NRG       | 24    | C2122852    | Paper Delivery Cover - LG       | Paper Delivery Cover       |

2. Delete the following parts

| NRG/Ricoh | Index | Part Number | Description                        |
|-----------|-------|-------------|------------------------------------|
| NRG       | 21    | C2002621    | Paper Delivery Cover Sheet - A4/B4 |
| NRG       | 24    | C2002620    | Paper Delivery Cover - A4/B4       |

Page 43:

1. Not listed

| NRG/Ricoh | Index | Part Number | Description                    |
|-----------|-------|-------------|--------------------------------|
| NRG       | 14    | C2012543    | Decal - Drum Caution - English |

Page 49:

1. Description correction

| NRG/Ricoh | Index | Part Number | Incorrect Description | Correct Description            |
|-----------|-------|-------------|-----------------------|--------------------------------|
| Common    | 18    | C2072750    | Decal - Scale         | Decal - Memory/Class - English |

2. Delete the following part

| NRG/Ricoh | Index | Part Number | Description           |
|-----------|-------|-------------|-----------------------|
| NRG       | 18    | C2122872    | Decal - Scale - A4/B4 |

Page 51:

1. Description correction

| NRG/Ricoh | Index | Part Number | Incorrect Description                | Correct Description         |
|-----------|-------|-------------|--------------------------------------|-----------------------------|
| NRG       | 3     | C2122862    | Decal - Scale - LT                   | Decal - Original Level - LT |
| NRG       | 14    | C2123120    | Left Fluorescent Lamp Cover - US/TWN | Left Fluorescent Lamp Cover |

2. Part number correction

| NRG/Ricoh | Index | Incorrect P/N | Correct P/N | Description                 |
|-----------|-------|---------------|-------------|-----------------------------|
| NRG       | 3     | C2032727      | C2122872    | Decal - Original Level - LG |
|           |       |               |             | Decal - Original Level - A4 |

Page 55:

1. Description correction

| NRG/Ricoh | Index | Part Number | Incorrect Description           | Correct Description        |
|-----------|-------|-------------|---------------------------------|----------------------------|
| Ricoh     | 4     | C2134005    | Right Side Plate - Plotter - LT | Right Side Plate - Plotter |
| Ricoh     | 24    | C2134001    | Left Side Plate - Plotter - LT  | Left Side Plate - Plotter  |
| Ricoh     | 38    | C2078080    | Flat Cable - Thermal Head - LT  | Flat Cable - Thermal Head  |

2. Delete the following parts

| NRG/Ricoh | Index | Part Number | Description                     |
|-----------|-------|-------------|---------------------------------|
| Ricoh     | 4     | C2134005    | Right Side Plate - Plotter - A4 |
| Ricoh     | 24    | C2134001    | Left Side Plate - Plotter - A4  |
| Ricoh     | 38    | C2078080    | Flat Cable - Thermal Head - A4  |

Page 59:

1. Description correction

| NRG/Ricoh | Index | Part Number | Incorrect Description           | Correct Description        |
|-----------|-------|-------------|---------------------------------|----------------------------|
| Ricoh     | 23    | C2134001    | Left Side Plate - Plotter - LT  | Left Side Plate - Plotter  |
| Ricoh     | 50    | C2134005    | Right Side Plate - Plotter - LT | Right Side Plate - Plotter |

2. Delete the following parts

| NRG/Ricoh | Index | Part Number | Description                     |
|-----------|-------|-------------|---------------------------------|
| Ricoh     | 23    | C2134001    | Left Side Plate - Plotter - A4  |
| Ricoh     | 50    | C2134005    | Right Side Plate - Plotter - A4 |

Page 65:

1. Description correction

| NRG/Ricoh | Index | Part Number | Incorrect Description         | Correct Description          |
|-----------|-------|-------------|-------------------------------|------------------------------|
| Ricoh     | 14    | C2018163    | Power Supply Cord - 220V      | Power Supply Cord - 220/240V |
| Ricoh     | 14    | C2038124    | Power Supply Cord - 110V/105V | Power Supply Cord - 110/120V |

2. Part number correction

| NRG/Ricoh | Index | Incorrect P/N | Correct P/N | Description               |
|-----------|-------|---------------|-------------|---------------------------|
| Common    | 29    | C2038176      |             | AC Harness - A4           |
|           |       |               | → C2138176  | AC Harness - 110/220/240V |
| Ricoh     | 31    | C2118112      |             | Main Board - UL           |
|           |       |               | → C2138112  | Main Board- 120V          |

Page 69:

1. Part number correction

| NRG/Ricoh | Index | Incorrect P/N | Correct P/N | Description     |
|-----------|-------|---------------|-------------|-----------------|
| Ricoh     | *     | C2118112      | → C2138112  | Main Board - LT |

Page 70:

1. Index number correction

| NRG/Ricoh | Symbol number | Incorrect Index No. | Correct Index No. |
|-----------|---------------|---------------------|-------------------|
| Common    | * R466        | 128 →               | 161               |
| Common    | * R468        | 128 →               | 161               |

\* : The above symbol numbers are located at the bottom of page 70 and at 3rd block from the right end.

Page 71:

1. Delete the following part

| NRG/Ricoh | Index | Part Number | Description           |
|-----------|-------|-------------|-----------------------|
| Common    | 128   | 11010328    | Connector Pin Contact |

2. Not listed

| NRG/Ricoh | Index | Part Number | Description         |
|-----------|-------|-------------|---------------------|
| Common    | 161   | 16302220    | Resistor - 22Ω 1/8W |

3. Index number correction

| NRG/Ricoh | Incorrect Index No. | Correct Index No. | Part Number | Description                |
|-----------|---------------------|-------------------|-------------|----------------------------|
| Common    | 127                 | 128               | 16302510    | Resistor - 51Ω 1/8W        |
| Common    | 140                 | 139               | 15030070    | Ceramic Oscillator - 10MHz |
| Common    | 141                 | 140               | 15030271    | Oscillator CSA6.90MT011    |
| Common    | 142                 | 141               | 16042081    | Capacitor - 1μF 50V        |
| Common    | 143                 | 142               | 16042208    | Capacitor - 10μF 50V       |
| Common    | 144                 | 143               | 16042209    | Capacitor - 100μF 16V      |
| Common    | 145                 | 144               | 16050306    | Capacitor - 27pF 50V       |
| Common    | 146                 | 145               | 16050491    | Capacitor - 230pF 50V      |
| Common    | 147                 | 146               | 16061139    | Capacitor 0.01μF ± 20%     |
| Common    | 148                 | 147               | 16061190    | Capacitor - 150pF 50V      |
| Common    | 149                 | 148               | 16061455    | Capacitor - 470pF 25V      |
| Common    | 150                 | 149               | 16061537    | Capacitor - 1000pF 50V     |
| Common    | 151                 | 150               | 16070421    | Coil - SP0615 - 220M2RO    |
| Common    | 152                 | 151               | 16070423    | Coil - SBT - 0210          |
| Common    | 153                 | 152               | 16302102    | Resistor - 1KΩ 1/8W        |
| Common    | 154                 | 153               | 16302104    | Resistor - 100KΩ 1/8W      |



Page 91:

1. Not listed

| NRG/Ricoh | Index | Part Number | Description     |
|-----------|-------|-------------|-----------------|
| NRG       | *     | C2122791    | Decal - English |

2. Delete the following parts

| NRG/Ricoh | Index | Part Number | Description                 |
|-----------|-------|-------------|-----------------------------|
| NRG       | 10    | C2122872    | Decal - Scale - A4          |
| NRG       | 13    | C2072752    | Decal - How To Operate - A4 |

3. Part number correction

| NRG/Ricoh | Index | Incorrect P/N | Correct P/N | Description                 |
|-----------|-------|---------------|-------------|-----------------------------|
| NRG       | 12    | C2032727      | C2122872    | Decal - Original Lever - LG |
|           |       |               |             | Decal - Original Lever - A4 |

4. Description correction

| NRG/Ricoh | Index | Part Number | Incorrect Description                   | Correct Description                      |
|-----------|-------|-------------|---|--|
| NRG       | 1     | C2122869    | Master Cutter Decal - LT/B4             | Master Cutter Decal - LT/TWN             |
| NRG       | 3     | C2122857    | Decal - Main Switch - LT                | Decal - Main Switch - LT/TWN             |
| NRG       | 7     | C2122858    | Decal - Replacing the Drum Unit - LG/A4 | Decal - Replacing the Drum Unit - LG/TWN |
| NRG       | 8     | C2122860    | Decal - Master Eject Open - LG/B4       | Decal - Master Eject Open - LG/TWN       |
| NRG       | 9     | C2122868    | Paper Feed Decal - LT/B4                | Paper Feed Decal - LT/TWN                |
| NRG       | 10    | C2072750    | Decal - Scale - LT                      | Decal - Memory/Class - LT/TWN            |
| NRG       | 13    | C2122873    | Decal - How To Operate - B4             | Decal - How To Operate - TWN             |
| NRG       | 15    | C2122866    | Decal - Original Table - LT/B4          | Decal - Original Table - LT/TWN          |
| NRG       | 16    | C2122864    | Decal - Open Carefully - LT/B4          | Decal - Open Carefully - LT/TWN          |

T. Ito, Manager  
Copier Technical Support

| <b>Model</b>                   |               | VT2300/2500, Ges5330, Res1260, NSA CP330              |             |        |                        |                     | <b>Volt/Hz</b>                          | <b>Date of Modification</b> | <b>Serial Number</b> |      |
|--------------------------------|---------------|---|-------------|--------|------------------------|---------------------|---|-----------------------------|----------------------|------|
| <b>Modified Article</b>        |               | 2nd Feed Roller Gear                                  |             |        |                        |                     |   |                             |                      |      |
| <b>Reason for Modification</b> |               | To improve the durability of the 2nd feed roller gear |             |        |                        |                     |   |                             |                      |      |
|                                |               |   |             |        |                        |                     |   |                             |                      |      |
|                                |               |   |             |        |                        |                     |   |                             |                      |      |
| Draw No.                       | Old Parts No. | New Parts No.   | Description | A.B.C. | Q'ty Used<br>Old → New | Inter-changeability | Part needed for replacement by new part |                             | Parts Catalog        |      |
|                                |               |   |             | Rank   |                        |                     | Part No.                                | Description                 | Index No.            | Page |
|                                | C2035231      | C2075231  | Gear - 14T  |        |                        | X/O                 |   |                             | 12                   | 27   |
|                                |               |   |             |        |                        |                     |   |                             |                      |      |
|                                |               |   |             |        |                        |                     |   |                             |                      |      |
|                                |               |   |             |        |                        |                     |   |                             |                      |      |
|                                |               |   |             |        |                        |                     |   |                             |                      |      |
|                                |               |   |             |        |                        |                     |   |                             |                      |      |
|                                |               |   |             |        |                        |                     |   |                             |                      |      |
|                                |               |   |             |        |                        |                     |   |                             |                      |      |
|                                |               |   |             |        |                        |                     |   |                             |                      |      |
|                                |               |   |             |        |                        |                     |   |                             |                      |      |
|                                |               |   |             |        |                        |                     |   |                             |                      |      |
|                                |               |   |             |        |                        |                     |   |                             |                      |      |
|                                |               |   |             |        |                        |                     |   |                             |                      |      |
|                                |               |   |             |        |                        |                     |   |                             |                      |      |
|                                |               |   |             |        |                        |                     |   |                             |                      |      |
|                                |               |   |             |        |                        |                     |   |                             |                      |      |
|                                |               |   |             |        |                        |                     |   |                             |                      |      |
|                                |               |   |             |        |                        |                     |   |                             |                      |      |

Rank: A : Replace with new parts immediately.      B : Replace with new parts at time of repair.      C : Replace with new parts at time of overhaul.

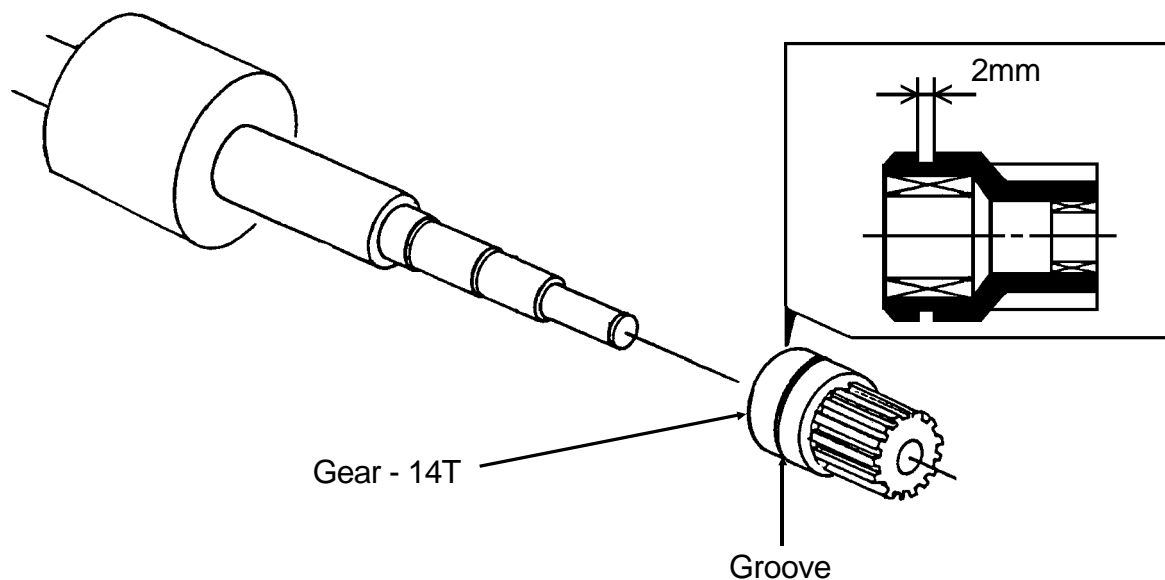
Interchangeability:

(1) When old and new parts are not mutually interchangeable, use additional parts or an assembly part as indicated in "Parts needed for replacement by new part" to install the new part.

(2) The mark to the left of the slash indicates whether the old part can be used in the new machine, and the mark to the right indicates whether the new part can be used

**DETAILS OF MODIFICATION**

It was reported that on some machines in the field, the image position varies. Although this is a very rare case, at worst this happened after making about 200,000 prints. On the problem machine, the one-way clutch inside the 2nd feed roller gear slips just when the 2nd feed rollers start feeding a sheet. (The paper feed start timing is delayed.) This makes the image position vary, i.e. move up or down in paper feed direction. After investigation, it was found that the grease inside the one-way clutch changes in quality and damage the inside surface of the clutch. The new 2nd feed roller gear contains a new type of grease that does not change in quality unlike the old one. To distinguish the new gear from the old one, a groove is made on the new gear.



T. Ito, Manager  
Copier Technical Support

| MODEL NAME   | V/Hz        | DESTINATION  | CODE    | SERIAL NUMBER              |
|--------------|-------------|--------------|---------|----------------------------|
| Ges 5330     | 120/60      | USA, Canada  | C212-12 | 50521070001                |
| Ges 5330     | 110/60      | Taiwan       | C212-13 | From August '91 Production |
| Rex 1260     | 110/60      | Taiwan       | C212-14 | From August '91 Production |
| Rex 1260     | 120/60      | USA, Canada  | C212-15 | From August '91 Production |
| NSA CP330    | 120/60      | USA, Canada  | C212-16 | From August '91 Production |
| Ricoh VT2300 | 120/60      | USA, Canada  | C212-17 | From August '91 Production |
| Ricoh VT2300 | 110/60      | Taiwan       | C212-19 | From August '91 Production |
| Ges 5330     | 220, 240/50 | Europe, Asia | C212-22 | 50511070001                |
| Rex 1260     | 220, 240/50 | Europe, Asia | C212-24 | From August '91 Production |
| NSA CP330    | 220, 240/50 | Europe, Asia | C212-25 | From August '91 Production |
| Ricoh VT2300 | 220, 240/50 | Europe       | C212-27 | From August '91 Production |
| Ricoh VT2300 | 220, 240/50 | Asia         | C212-29 | C2811070001                |
| Ricoh VT2500 | 120/60      | USA, Canada  | C213-17 | From August '91 Production |
| Ricoh VT2500 | 110/60      | Taiwan       | C213-19 | From August '91 Production |
| Ricoh VT2500 | 220, 240/50 | Europe       | C213-27 | C2821070001                |
| Ricoh VT2500 | 220, 240/50 | Asia         | C213-29 | C2821070024                |

|                                |  |                |                             |                      |
|--------------------------------|--|----------------|-----------------------------|----------------------|
| <b>Model</b>                   | VT2300/2500, Ges5330, Rex1260, NSA CP330                     | <b>Volt/Hz</b> | <b>Date of Modification</b> | <b>Serial Number</b> |
| <b>Modified Article</b>        | Image Processing ROM   |                |                             |                      |
| <b>Reason for Modification</b> | To increase the image density of thin lines in the line mode |                |                             |                      |
|                                |  |                |                             |                      |
|                                |  |                |                             |                      |

| Draw No. | Old Parts No. | New Parts No. | Description         | A.B.C. | Q'ty Used<br>Old → New | Inter-changeability | Part needed for replacement by new part |             | Parts Catalog |          |
|----------|---------------|---------------|---------------------|--------|------------------------|---------------------|---|-------------|---------------|----------|
|          |               |               |                     | Rank   |                        |                     | Part No.                                | Description | Index No.     | Page     |
|          | C2078016      | C2138025      | IC - HN27128AP - 20 |        | 1 → 1                  | X/O                 |   |             | 28<br>5       | 65<br>71 |
|          |               |               |                     |        |                        |                     |   |             |               |          |
|          |               |               |                     |        |                        |                     |   |             |               |          |
|          |               |               |                     |        |                        |                     |   |             |               |          |
|          |               |               |                     |        |                        |                     |   |             |               |          |
|          |               |               |                     |        |                        |                     |   |             |               |          |
|          |               |               |                     |        |                        |                     |   |             |               |          |
|          |               |               |                     |        |                        |                     |   |             |               |          |
|          |               |               |                     |        |                        |                     |   |             |               |          |
|          |               |               |                     |        |                        |                     |   |             |               |          |
|          |               |               |                     |        |                        |                     |   |             |               |          |
|          |               |               |                     |        |                        |                     |   |             |               |          |
|          |               |               |                     |        |                        |                     |   |             |               |          |
|          |               |               |                     |        |                        |                     |   |             |               |          |
|          |               |               |                     |        |                        |                     |   |             |               |          |
|          |               |               |                     |        |                        |                     |   |             |               |          |
|          |               |               |                     |        |                        |                     |   |             |               |          |
|          |               |               |                     |        |                        |                     |   |             |               |          |
|          |               |               |                     |        |                        |                     |   |             |               |          |

Rank: A : Replace with new parts immediately. B : Replace with new parts at time of repair. C : Replace with new parts at time of overhaul.  
 Interchangeability:  
 (1) When old and new parts are not mutually interchangeable, use additional parts or an assembly part as indicated in "Parts needed for replacement by new part" to install the new part.  
 (2) The mark to the left of the slash indicates whether the old part can be used in the new machine, and the mark to the right indicates whether the new part can be used in the old machine. x = Not interchangeable o = Interchangeable

DETAILS OF MODIFICATION

The reason of this modification is:

In the line mode, the sharpen image processing is on (this image process is common to the SS935/955 [Ges5230/5270, Rex1160/1170] series), and so, the lines are made finer and the images occasionally look lighter and inconsistent. This process is suitable for the SS935/955 [Ges5230/5270, Rex1160/1170] series because of its ink filtration process, but unsuitable for the VT2300/2500's [Ges5330, Rex1260, NSA CP330] fine thermal head.

Therefore, we modified the sequential ROM used on the image processing board. This does not activate the sharpen line processing in the line mode. As for the photo mode, we leave this process on to avoid a black dot effect on a photo image.

T. Ito, Manager  
Copier Technical Support

| MODEL NAME   | V/Hz        | DESTINATION  | CODE    | SERIAL NUMBER        |
|--------------|-------------|--------------|---------|----------------------|
| Ges 5330     | 120/60      | USA, Canada  | C212-12 | 50521050001          |
| Ges 5330     | 110/60      | Taiwan       | C212-13 | 50531050001          |
| Rex 1260     | 110/60      | Taiwan       | C212-14 | From June Production |
| Rex 1260     | 120/60      | USA, Canada  | C212-15 | From June Production |
| NSA CP330    | 120/60      | USA, Canada  | C212-16 | From June Production |
| Ricoh VT2300 | 120/60      | USA, Canada  | C212-17 | From June Production |
| Ricoh VT2300 | 110/60      | Taiwan       | C212-19 | From June Production |
| Ges 5330     | 220, 240/50 | Europe, Asia | C212-22 | 50511050016          |
| Rex 1260     | 220, 240/50 | Europe, Asia | C212-24 | From June Production |
| NSA CP330    | 220, 240/50 | Europe, Asia | C212-25 | 50511050001          |
| Ricoh VT2300 | 220, 240/50 | Europe       | C212-27 | From June Production |
| Ricoh VT2300 | 220, 240/50 | Asia         | C212-29 | C2811050001          |
| Ricoh VT2500 | 120/60      | USA, Canada  | C213-17 | From June Production |
| Ricoh VT2500 | 110/60      | Taiwan       | C213-19 | From June Production |
| Ricoh VT2500 | 220, 240/50 | Europe       | C213-27 | From June Production |
| Ricoh VT2500 | 220, 240/50 | Asia         | C213-29 | C2821050001          |

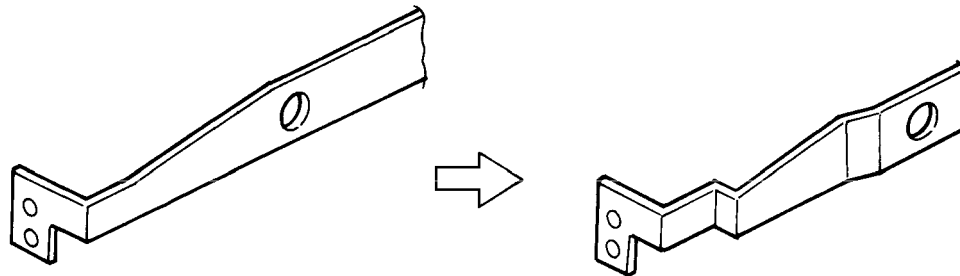


| <b>Model</b>                   |               | VT2300/2500, Ges5330, Rex1260, NSA CP330                               |                 |        |                        |                     | <b>Volt/Hz</b>                          | <b>Date of Modification</b> | <b>Serial Number</b> |      |
|--------------------------------|---------------|--|-----------------|--------|------------------------|---------------------|---|-----------------------------|----------------------|------|
| <b>Modified Article</b>        |               | Feed Roller Arm  |                 |        |                        |                     |   |                             |                      |      |
| <b>Reason for Modification</b> |               | To prevent the feed roller arm from touching the paper feed side plate |                 |        |                        |                     |   |                             |                      |      |
|                                |               |  |                 |        |                        |                     |   |                             |                      |      |
|                                |               |  |                 |        |                        |                     |   |                             |                      |      |
| Draw No.                       | Old Parts No. | New Parts No.  | Description     | A.B.C. | Q'ty Used<br>Old → New | Inter-changeability | Part needed for replacement by new part |                             | Parts Catalog        |      |
|                                |               |  |                 | Rank   |                        |                     | Part No.                                | Description                 | Index No.            | Page |
|                                | C2035058      | C2095035   | Feed Roller Arm |        |                        | X/O                 |   |                             | 3                    | 21   |
|                                |               |  |                 |        |                        |                     |   |                             |                      |      |
|                                |               |  |                 |        |                        |                     |   |                             |                      |      |
|                                |               |  |                 |        |                        |                     |   |                             |                      |      |
|                                |               |  |                 |        |                        |                     |   |                             |                      |      |
|                                |               |  |                 |        |                        |                     |   |                             |                      |      |
|                                |               |  |                 |        |                        |                     |   |                             |                      |      |
|                                |               |  |                 |        |                        |                     |   |                             |                      |      |
|                                |               |  |                 |        |                        |                     |   |                             |                      |      |
|                                |               |  |                 |        |                        |                     |   |                             |                      |      |
|                                |               |  |                 |        |                        |                     |   |                             |                      |      |
|                                |               |  |                 |        |                        |                     |   |                             |                      |      |
|                                |               |  |                 |        |                        |                     |   |                             |                      |      |
|                                |               |  |                 |        |                        |                     |   |                             |                      |      |
|                                |               |  |                 |        |                        |                     |   |                             |                      |      |
|                                |               |  |                 |        |                        |                     |   |                             |                      |      |
|                                |               |  |                 |        |                        |                     |   |                             |                      |      |
|                                |               |  |                 |        |                        |                     |   |                             |                      |      |
|                                |               |  |                 |        |                        |                     |   |                             |                      |      |

Rank: A : Replace with new parts immediately. B : Replace with new parts at time of repair. C : Replace with new parts at time of overhaul.  
 Interchangeability:  
 (1) When old and new parts are not mutually interchangeable, use additional parts or an assembly part as indicated in "Parts needed for replacement by new part" to install the new part.  
 (2) The mark to the left of the slash indicates whether the old part can be used in the new machine, and the mark to the right indicates whether the new part can be used

DETAILS OF MODIFICATION

When the paper table is lowered, the feed roller arm contacts the side pad lever if the paper feed side plates are fully opened. To prevent this, the shape of the feed roller arm has been changed as shown in the illustration below.



| MODEL NAME   | V/Hz        | DESTINATION  | CODE    | SERIAL NUMBER              |
|--------------|-------------|--------------|---------|----------------------------|
| Ges 5330     | 120/60      | USA, Canada  | C212-12 | From August '91 Production |
| Ges 5330     | 110/60      | Taiwan       | C212-13 | From August '91 Production |
| Rex 1260     | 110/60      | Taiwan       | C212-14 | From August '91 Production |
| Rex 1260     | 120/60      | USA, Canada  | C212-15 | From August '91 Production |
| NSA CP330    | 120/60      | USA, Canada  | C212-16 | From August '91 Production |
| Ricoh VT2300 | 120/60      | USA, Canada  | C212-17 | From August '91 Production |
| Ricoh VT2300 | 110/60      | Taiwan       | C212-19 | From August '91 Production |
| Ges 5330     | 220, 240/50 | Europe, Asia | C212-22 | 50511070001                |
| Rex 1260     | 220, 240/50 | Europe, Asia | C212-24 | From August '91 Production |
| NSA CP330    | 220, 240/50 | Europe, Asia | C212-25 | From August '91 Production |
| Ricoh VT2300 | 220, 240/50 | Europe       | C212-27 | From August '91 Production |
| Ricoh VT2300 | 220, 240/50 | Asia         | C212-29 | C2811070001                |
| Ricoh VT2500 | 120/60      | USA, Canada  | C213-17 | From August '91 Production |
| Ricoh VT2500 | 110/60      | Taiwan       | C213-19 | From August '91 Production |
| Ricoh VT2500 | 220, 240/50 | Europe       | C213-27 | From August '91 Production |
| Ricoh VT2500 | 220, 240/50 | Asia         | C213-29 | From August '91 Production |

| Model                   |               | VT2300/2500, Ges5330, Rex1260, NSA CP330                      |                                     |        |                        |                     | Volt/Hz                                 | Date of Modification | Serial Number |      |
|-------------------------|---------------|---|-------------------------------------|--------|------------------------|---------------------|---|----------------------|---------------|------|
| Modified Article        |               | Paper detecting arm   |                                     |        |                        |                     |   |                      |               |      |
| Reason for Modification |               | To improve strength and durability of the paper detecting arm |                                     |        |                        |                     |   |                      |               |      |
|                         |               |   |                                     |        |                        |                     |   |                      |               |      |
|                         |               |   |                                     |        |                        |                     |   |                      |               |      |
| Draw No.                | Old Parts No. | New Parts No.   | Description                         | A.B.C. | Q'ty Used<br>Old → New | Inter-changeability | Part needed for replacement by new part |                      | Parts Catalog |      |
|                         |               |   |                                     | Rank   |                        |                     | Part No.                                | Description          | Index No.     | Page |
|                         | C2035515      | C2095515  | Paper Detecting Arm                 |        |                        | X/X                 | X/O as a set                            |                      | 13            | 27   |
|                         | 08046090      |   | Hexagon Bolt - M4                   |        |                        |                     |   |                      | 105           | 27   |
|                         | 07130040B     |   | Hexagon Nut - M4                    |        |                        |                     |   |                      | 106           | 27   |
|                         |               | 05730050E   | Hexagon Headless Set Screw - M3 x 5 |        |                        | X/X                 |   |                      | * 113         | 27   |
|                         |               |   |                                     |        |                        |                     |   |                      |               |      |
|                         |               |   |                                     |        |                        |                     |   |                      |               |      |
|                         |               |   |                                     |        |                        |                     |   |                      |               |      |
|                         |               |   |                                     |        |                        |                     |   |                      |               |      |
|                         |               |   |                                     |        |                        |                     |   |                      |               |      |
|                         |               |   |                                     |        |                        |                     |   |                      |               |      |

Rank: A : Replace with new parts immediately.      B : Replace with new parts at time of repair.      C : Replace with new parts at time of overhaul.

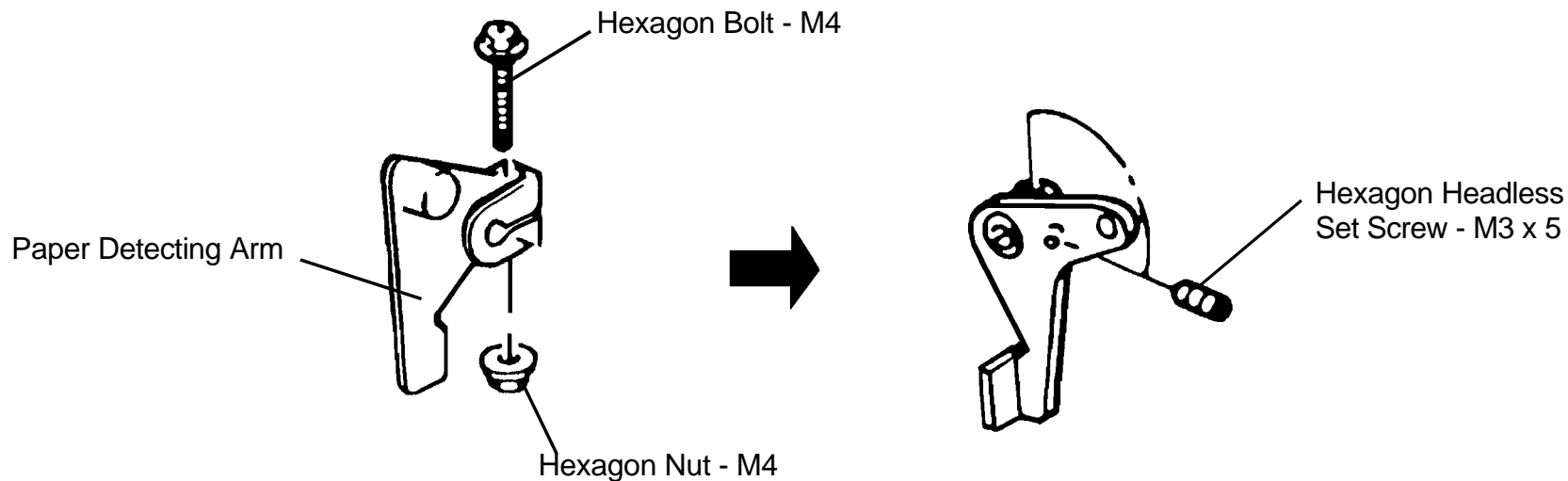
Interchangeability:

(1) When old and new parts are not mutually interchangeable, use additional parts or an assembly part as indicated in "Parts needed for replacement by new part" to install the new part.

(2) The mark to the left of the slash indicates whether the old part can be used in the new machine, and the mark to the right indicates whether the new part can be used

DETAILS OF MODIFICATION

To improve strength and durability, the paper detecting arm has been changed to the type used on the NA2 (C210).



T. Ito, Manager  
Copier Technical Support

| MODEL NAME   | V/Hz        | DESTINATION  | CODE    | SERIAL NUMBER              |
|--------------|-------------|--------------|---------|----------------------------|
| Ges 5330     | 120/60      | USA, Canada  | C212-12 | 50521070001                |
| Ges 5330     | 110/60      | Taiwan       | C212-13 | From August '91 Production |
| Rex 1260     | 110/60      | Taiwan       | C212-14 | From August '91 Production |
| Rex 1260     | 120/60      | USA, Canada  | C212-15 | From August '91 Production |
| NSA CP330    | 120/60      | USA, Canada  | C212-16 | From August '91 Production |
| Ricoh VT2300 | 120/60      | USA, Canada  | C212-17 | From August '91 Production |
| Ricoh VT2300 | 110/60      | Taiwan       | C212-19 | From August '91 Production |
| Ges 5330     | 220, 240/50 | Europe, Asia | C212-22 | 50511070001                |
| Rex 1260     | 220, 240/50 | Europe, Asia | C212-24 | From August '91 Production |
| NSA CP330    | 220, 240/50 | Europe, Asia | C212-25 | From August '91 Production |
| Ricoh VT2300 | 220, 240/50 | Europe       | C212-27 | From August '91 Production |
| Ricoh VT2300 | 220, 240/50 | Asia         | C212-29 | C2811070001                |
| Ricoh VT2500 | 120/60      | USA, Canada  | C213-17 | From August '91 Production |
| Ricoh VT2500 | 110/60      | Taiwan       | C213-19 | From August '91 Production |
| Ricoh VT2500 | 220, 240/50 | Europe       | C213-27 | C2821070001                |
| Ricoh VT2500 | 220, 240/50 | Asia         | C213-29 | C2821070024                |

| <b>Model</b>                   |               | VT2300/2500, Ges5330, Rex1260, NSA CP330             |                  |        |                        |                     | <b>Volt/Hz</b>                          | <b>Date of Modification</b> | <b>Serial Number</b> |      |
|--------------------------------|---------------|--|------------------|--------|------------------------|---------------------|---|-----------------------------|----------------------|------|
| <b>Modified Article</b>        |               | Left Guide Plate                                     |                  |        |                        |                     |   |                             |                      |      |
| <b>Reason for Modification</b> |               | To match the appearance of the Delivery Guide Plates |                  |        |                        |                     |   |                             |                      |      |
|                                |               |  |                  |        |                        |                     |   |                             |                      |      |
|                                |               |  |                  |        |                        |                     |   |                             |                      |      |
| Draw No.                       | Old Parts No. | New Parts No.  | Description      | A.B.C. | Q'ty Used<br>Old → New | Inter-changeability | Part needed for replacement by new part |                             | Parts Catalog        |      |
|                                |               |  |                  | Rank   |                        |                     | Part No.                                | Description                 | Index No.            | Page |
|                                | C2076118      | C2136118   | Left Guide Plate |        | 1 → 1                  | O/O                 |   |                             | 2                    | 37   |
|                                |               |  |                  |        |                        |                     |   |                             |                      |      |
|                                |               |  |                  |        |                        |                     |   |                             |                      |      |
|                                |               |  |                  |        |                        |                     |   |                             |                      |      |
|                                |               |  |                  |        |                        |                     |   |                             |                      |      |
|                                |               |  |                  |        |                        |                     |   |                             |                      |      |
|                                |               |  |                  |        |                        |                     |   |                             |                      |      |
|                                |               |  |                  |        |                        |                     |   |                             |                      |      |
|                                |               |  |                  |        |                        |                     |   |                             |                      |      |
|                                |               |  |                  |        |                        |                     |   |                             |                      |      |
|                                |               |  |                  |        |                        |                     |   |                             |                      |      |
|                                |               |  |                  |        |                        |                     |   |                             |                      |      |
|                                |               |  |                  |        |                        |                     |   |                             |                      |      |
|                                |               |  |                  |        |                        |                     |   |                             |                      |      |
|                                |               |  |                  |        |                        |                     |   |                             |                      |      |
|                                |               |  |                  |        |                        |                     |   |                             |                      |      |
|                                |               |  |                  |        |                        |                     |   |                             |                      |      |
|                                |               |  |                  |        |                        |                     |   |                             |                      |      |
|                                |               |  |                  |        |                        |                     |   |                             |                      |      |

Rank: A : Replace with new parts immediately. B : Replace with new parts at time of repair. C : Replace with new parts at time of overhaul.

Interchangeability:

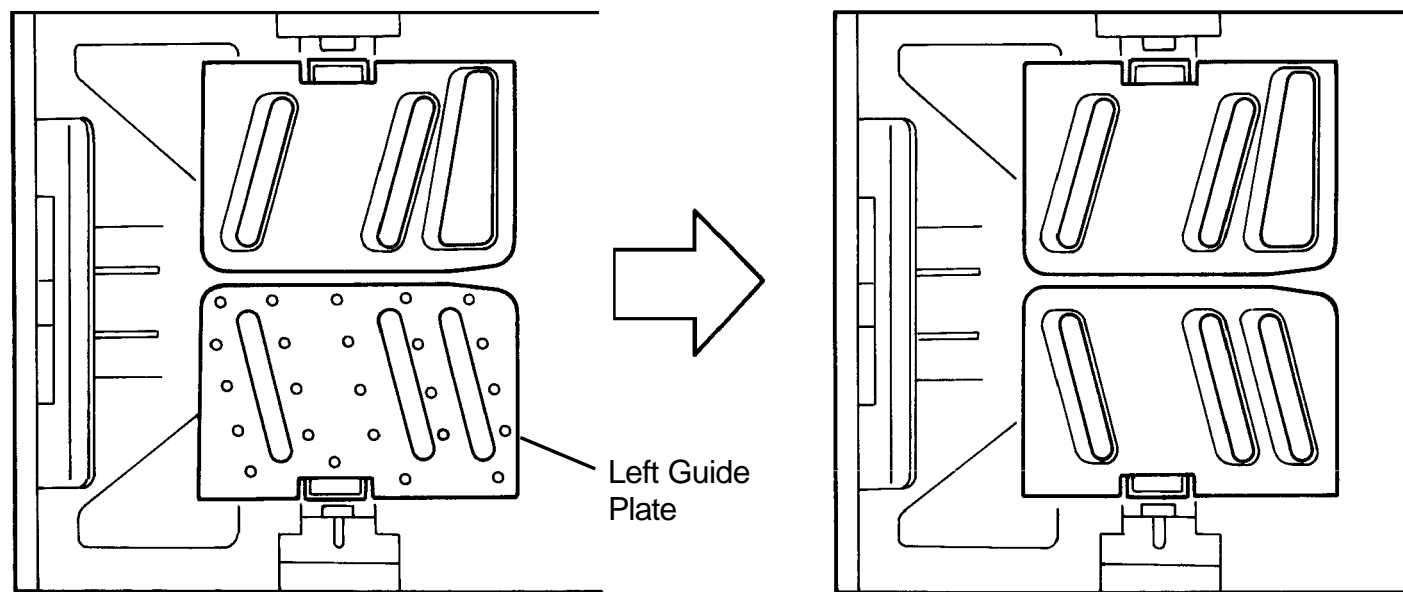
(1) When old and new parts are not mutually interchangeable, use additional parts or an assembly part as indicated in "Parts needed for replacement by new part" to install the new part.

(2) The mark to the left of the slash indicates whether the old part can be used in the new machine, and the mark to the right indicates whether the new part can be used

DETAILS OF MODIFICATION

The right guide plate of the priport VT2000 series was changed from that of the priport SS series in order to allow for the installation of the tape dispenser unit. As a result, the appearance of the right guide plate was different from the old one. This was visible especially when the right and left guide plates were closed. (See figure)

Now the left guide plate has been changed to match its appearance with that of the right guide plate. The difference between the new and old one is only in the appearance of the backside (Interchangeability is O/O).



T. Ito, Manager  
Copier Technical Support



| MODEL NAME   | V/Hz        | DESTINATION  | CODE    | SERIAL NUMBER |
|--------------|-------------|--------------|---------|---------------|
| Ges 5330     | 120/60      | USA, Canada  | C212-12 |               |
| Ges 5330     | 110/60      | Taiwan       | C212-13 |               |
| Rex 1260     | 110/60      | Taiwan       | C212-14 |               |
| Rex 1260     | 120/60      | USA, Canada  | C212-15 |               |
| NSA CP330    | 120/60      | USA, Canada  | C212-16 |               |
| Ricoh VT2300 | 120/60      | USA, Canada  | C212-17 |               |
| Ricoh VT2300 | 110/60      | Taiwan       | C212-19 |               |
| Ges 5330     | 220, 240/50 | Europe, Asia | C212-22 |               |
| Rex 1260     | 220, 240/50 | Europe, Asia | C212-24 |               |
| NSA CP330    | 220, 240/50 | Europe, Asia | C212-25 |               |
| Ricoh VT2300 | 220, 240/50 | Europe       | C212-27 |               |
| Ricoh VT2300 | 220, 240/50 | Asia         | C212-29 |               |
| Ricoh VT2500 | 120/60      | USA, Canada  | C213-17 |               |
| Ricoh VT2500 | 110/60      | Taiwan       | C213-19 |               |
| Ricoh VT2500 | 220, 240/50 | Europe       | C213-27 |               |
| Ricoh VT2500 | 220, 240/50 | Asia         | C213-29 |               |

| Model                   |               | VT2300/2500, Ges 5330, Rex 1260, NSA CP330          |                               |        |                        |                     |   | Volt/Hz     | Date of Modification | Serial Number |  |
|-------------------------|---------------|---|-------------------------------|--------|------------------------|---------------------|---|-------------|----------------------|---------------|--|
| Modified Article        |               | Power Supply Unit                                   |                               |        |                        |                     |   |             |                      |               |  |
| Reason for Modification |               | To improve the response of the power supply circuit |                               |        |                        |                     |   |             |                      |               |  |
| Draw No.                | Old Parts No. | New Parts No.                                       | Description                   | A.B.C. | Q'ty Used<br>Old → New | Inter-changeability | Part needed for replacement by new part |             | Parts Catalog        |               |  |
|                         |               |   |                               | Rank   |                        |                     | Part No.                                | Description | Index No.            | Page          |  |
|                         | 16061492      |   | Capacitor - 1μF± 30 - 80% 50V |        |                        |                     |   |             | 130                  | 77            |  |
|                         |               | 16060807  | Capacitor - 0.1μF 50V         |        |                        | X/O                 |   |             |                      |               |  |
|                         |               |   |                               |        |                        |                     |   |             |                      |               |  |
|                         |               |   |                               |        |                        |                     |   |             |                      |               |  |
|                         |               |   |                               |        |                        |                     |   |             |                      |               |  |
|                         |               |   |                               |        |                        |                     |   |             |                      |               |  |
|                         |               |   |                               |        |                        |                     |   |             |                      |               |  |
|                         |               |   |                               |        |                        |                     |   |             |                      |               |  |
|                         |               |   |                               |        |                        |                     |   |             |                      |               |  |
|                         |               |   |                               |        |                        |                     |   |             |                      |               |  |
|                         |               |   |                               |        |                        |                     |   |             |                      |               |  |
|                         |               |   |                               |        |                        |                     |   |             |                      |               |  |
|                         |               |   |                               |        |                        |                     |   |             |                      |               |  |
|                         |               |   |                               |        |                        |                     |   |             |                      |               |  |
|                         |               |   |                               |        |                        |                     |   |             |                      |               |  |
|                         |               |   |                               |        |                        |                     |   |             |                      |               |  |
|                         |               |   |                               |        |                        |                     |   |             |                      |               |  |

Rank: A : Replace with new parts immediately. B : Replace with new parts at time of repair. C : Replace with new parts at time of overhaul.

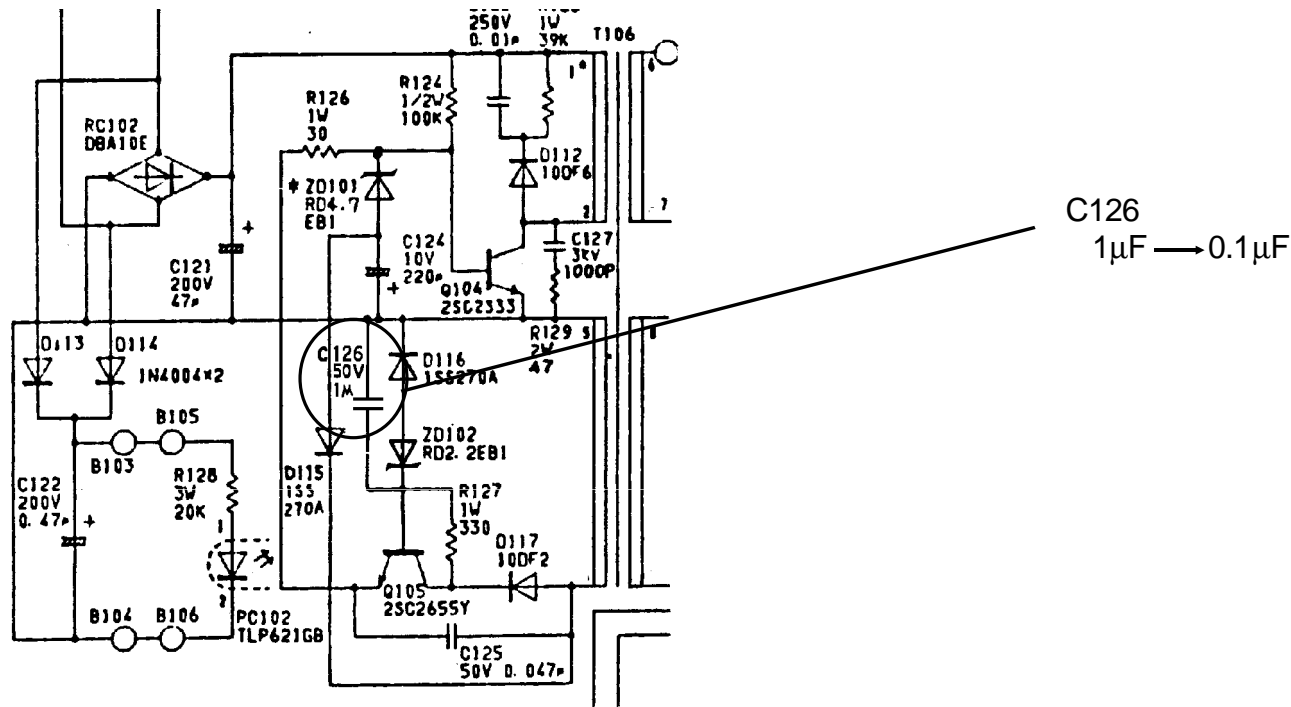
Interchangeability:  
 (1) When old and new parts are not mutually interchangeable, use additional parts or an assembly part as indicated in "Parts needed for replacement by new part" to install the new part.  
 (2) The mark to the left of the slash indicates whether the old part can be used in the new machine, and the mark to the right indicates whether the new part can be used in the old machine. x = Not interchangeable o = Interchangeable

DETAILS OF MODIFICATION

At the factory, it was found that the machine sometimes fails to start working if an operator repeatedly turns the main switch on and off very quickly. In this case, dc 5V is not supplied.

A capacitor used in the power supply unit has been changed so that power supply circuit responds quickly.

Part number of the power supply unit has not been changed but suffix has been changed to A.



Power Supply Unit C2138302 → C2138302A

T. Ito, Manager  
Copier Technical Support

| MODEL NAME   | V/Hz        | DESTINATION  | CODE    | SERIAL NUMBER              |
|--------------|-------------|--------------|---------|----------------------------|
| Ges 5330     | 120/60      | USA, Canada  | C212-12 | 50521070001                |
| Ges 5330     | 110/60      | Taiwan       | C212-13 | From August '91 Production |
| Rex 1260     | 110/60      | Taiwan       | C212-14 | From August '91 Production |
| Rex 1260     | 120/60      | USA, Canada  | C212-15 | From August '91 Production |
| NSA CP330    | 120/60      | USA, Canada  | C212-16 | From August '91 Production |
| Ricoh VT2300 | 120/60      | USA, Canada  | C212-17 | From August '91 Production |
| Ricoh VT2300 | 110/60      | Taiwan       | C212-19 | From August '91 Production |
| Ges 5330     | 220, 240/50 | Europe, Asia | C212-22 | 50511070001                |
| Rex 1260     | 220, 240/50 | Europe, Asia | C212-24 | From August '91 Production |
| NSA CP330    | 220, 240/50 | Europe, Asia | C212-25 | From August '91 Production |
| Ricoh VT2300 | 220, 240/50 | Europe       | C212-27 | From August '91 Production |
| Ricoh VT2300 | 220, 240/50 | Asia         | C212-29 | C2811070001                |
| Ricoh VT2500 | 120/60      | USA, Canada  | C213-17 | From August '91 Production |
| Ricoh VT2500 | 110/60      | Taiwan       | C213-19 | From August '91 Production |
| Ricoh VT2500 | 220, 240/50 | Europe       | C213-27 | C2821070001                |
| Ricoh VT2500 | 220, 240/50 | Asia         | C213-29 | C2821070024                |

| <b>Model</b>                   |               | VT2300/2500, Ges5330, Rex1260, NSA CP330                             |              |        |                        |                     | <b>Volt/Hz</b>                          | <b>Date of Modification</b> | <b>Serial Number</b> |      |
|--------------------------------|---------------|--|--------------|--------|------------------------|---------------------|---|-----------------------------|----------------------|------|
| <b>Modified Article</b>        |               | Magnet Plate   |              |        |                        |                     |   |                             |                      |      |
| <b>Reason for Modification</b> |               | To increase attraction between the magnet catch and the magnet plate |              |        |                        |                     |   |                             |                      |      |
|                                |               |  |              |        |                        |                     |   |                             |                      |      |
|                                |               |  |              |        |                        |                     |   |                             |                      |      |
| Draw No.                       | Old Parts No. | New Parts No.  | Description  | A.B.C. | Q'ty Used<br>Old → New | Inter-changeability | Part needed for replacement by new part |                             | Parts Catalog        |      |
|                                |               |  |              | Rank   |                        |                     | Part No.                                | Description                 | Index No.            | Page |
|                                | C2002432      | C2132435   | Magnet Plate |        |                        | X/O                 |   |                             | 26                   | 9    |
|                                |               |  |              |        |                        |                     |   |                             |                      |      |
|                                |               |  |              |        |                        |                     |   |                             |                      |      |
|                                |               |  |              |        |                        |                     |   |                             |                      |      |
|                                |               |  |              |        |                        |                     |   |                             |                      |      |
|                                |               |  |              |        |                        |                     |   |                             |                      |      |
|                                |               |  |              |        |                        |                     |   |                             |                      |      |
|                                |               |  |              |        |                        |                     |   |                             |                      |      |
|                                |               |  |              |        |                        |                     |   |                             |                      |      |
|                                |               |  |              |        |                        |                     |   |                             |                      |      |
|                                |               |  |              |        |                        |                     |   |                             |                      |      |
|                                |               |  |              |        |                        |                     |   |                             |                      |      |
|                                |               |  |              |        |                        |                     |   |                             |                      |      |
|                                |               |  |              |        |                        |                     |   |                             |                      |      |
|                                |               |  |              |        |                        |                     |   |                             |                      |      |
|                                |               |  |              |        |                        |                     |   |                             |                      |      |
|                                |               |  |              |        |                        |                     |   |                             |                      |      |
|                                |               |  |              |        |                        |                     |   |                             |                      |      |
|                                |               |  |              |        |                        |                     |   |                             |                      |      |

Rank:    A : Replace with new parts immediately.            B : Replace with new parts at time of repair.            C : Replace with new parts at time of overhaul.

Interchangeability:

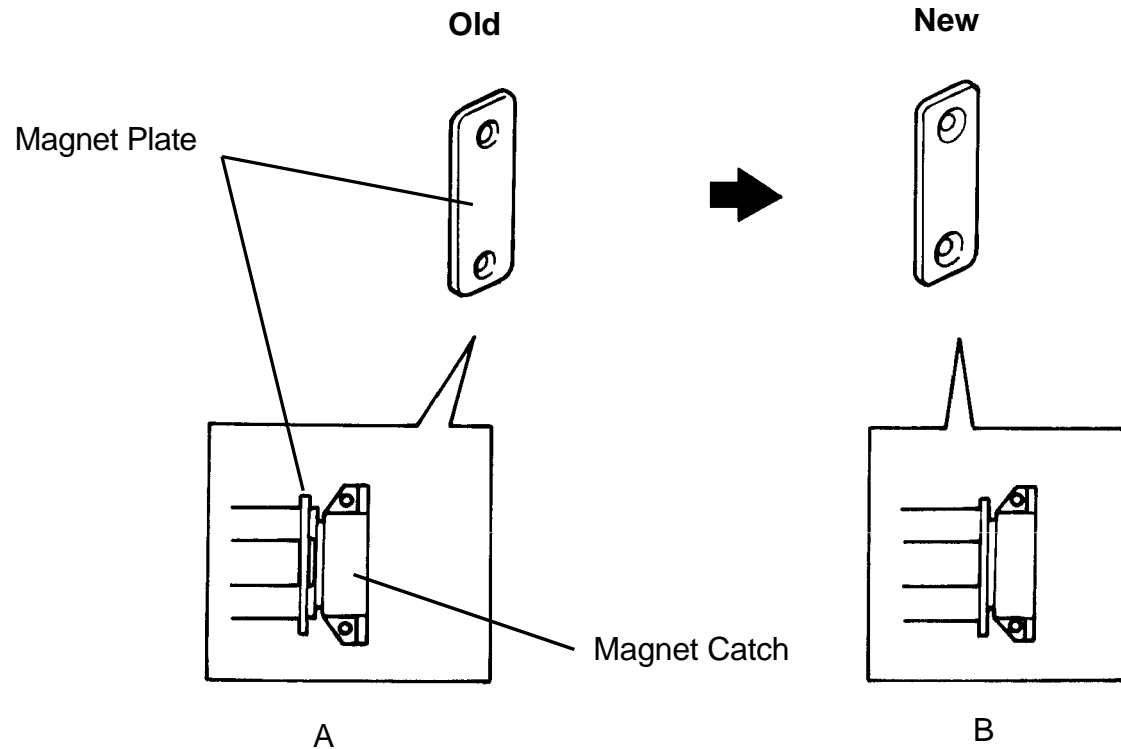
(1) When old and new parts are not mutually interchangeable, use additional parts or an assembly part as indicated in "Parts needed for replacement by new part" to install the new part.

(2) The mark to the left of the slash indicates whether the old part can be used in the new machine, and the mark to the right indicates whether the new part can be used in the old machine.    x = Not interchangeable    o = Interchangeable

**DETAILS OF MODIFICATION**

In VT series, the flat head screws fixing the magnet plate project out of the holes of the magnet plate because the heads of the screws are a little bigger than the holes. This weakens the attraction between the magnet catch and the magnet plate (illustration A).

To increase the attraction, the holes of the magnet plate have been made bigger so that the magnet sticks the magnet plate tightly (illustration B).



T. Ito, Manager  
Copier Technical Support

| MODEL NAME   | V/Hz        | DESTINATION  | CODE    | SERIAL NUMBER                 |
|--------------|-------------|--------------|---------|-------------------------------|
| Ges 5330     | 120/60      | USA, Canada  | C212-12 | 50521080003                   |
| Ges 5330     | 110/60      | Taiwan       | C212-13 | From September '91 Production |
| Rex 1260     | 110/60      | Taiwan       | C212-14 | From September '91 Production |
| Rex 1260     | 120/60      | USA, Canada  | C212-15 | 50521080098                   |
| NSA CP330    | 120/60      | USA, Canada  | C212-16 | From September '91 Production |
| Ricoh VT2300 | 120/60      | USA, Canada  | C212-17 | From September '91 Production |
| Ricoh VT2300 | 110/60      | Taiwan       | C212-19 | From September '91 Production |
| Ges 5330     | 220, 240/50 | Europe, Asia | C212-22 | 50511080007                   |
| Rex 1260     | 220, 240/50 | Europe, Asia | C212-24 | From September '91 Production |
| NSA CP330    | 220, 240/50 | Europe, Asia | C212-25 | 50511080103                   |
| Ricoh VT2300 | 220, 240/50 | Europe       | C212-27 | C2811080003                   |
| Ricoh VT2300 | 220, 240/50 | Asia         | C212-29 | From September '91 Production |
| Ricoh VT2500 | 120/60      | USA, Canada  | C213-17 | From September '91 Production |
| Ricoh VT2500 | 110/60      | Taiwan       | C213-19 | From September '91 Production |
| Ricoh VT2500 | 220, 240/50 | Europe       | C213-27 | C2821080005                   |
| Ricoh VT2500 | 220, 240/50 | Asia         | C213-29 | C2821080024                   |

| <b>Model</b>                   |               | VT2300/2500, Ges5330, rex1260, NSA CP330 |                  |        |                        |                     | <b>Volt/Hz</b>                          | <b>Date of Modification</b> | <b>Serial Number</b> |      |
|--------------------------------|---------------|--|------------------|--------|------------------------|---------------------|---|-----------------------------|----------------------|------|
| <b>Modified Article</b>        |               | Antistatic Brush                         |                  |        |                        |                     |   |                             |                      |      |
| <b>Reason for Modification</b> |               | To prevent paper jamming around the drum |                  |        |                        |                     |   |                             |                      |      |
|                                |               |  |                  |        |                        |                     |   |                             |                      |      |
|                                |               |  |                  |        |                        |                     |   |                             |                      |      |
| Draw No.                       | Old Parts No. | New Parts No.                            | Description      | A.B.C. | Q'ty Used<br>Old → New | Inter-changeability | Part needed for replacement by new part |                             | Parts Catalog        |      |
|                                |               |  |                  | Rank   |                        |                     | Part No.                                | Description                 | Index No.            | Page |
|                                |               | C2135500                                 | Antistatic Brush |        | 0 → 1                  |                     |   |                             | *28                  | 27   |
|                                |               |  |                  |        |                        |                     |   |                             |                      |      |
|                                |               |  |                  |        |                        |                     |   |                             |                      |      |
|                                |               |  |                  |        |                        |                     |   |                             |                      |      |
|                                |               |  |                  |        |                        |                     |   |                             |                      |      |
|                                |               |  |                  |        |                        |                     |   |                             |                      |      |
|                                |               |  |                  |        |                        |                     |   |                             |                      |      |
|                                |               |  |                  |        |                        |                     |   |                             |                      |      |
|                                |               |  |                  |        |                        |                     |   |                             |                      |      |
|                                |               |  |                  |        |                        |                     |   |                             |                      |      |
|                                |               |  |                  |        |                        |                     |   |                             |                      |      |
|                                |               |  |                  |        |                        |                     |   |                             |                      |      |
|                                |               |  |                  |        |                        |                     |   |                             |                      |      |
|                                |               |  |                  |        |                        |                     |   |                             |                      |      |
|                                |               |  |                  |        |                        |                     |   | * New Index                 |                      |      |

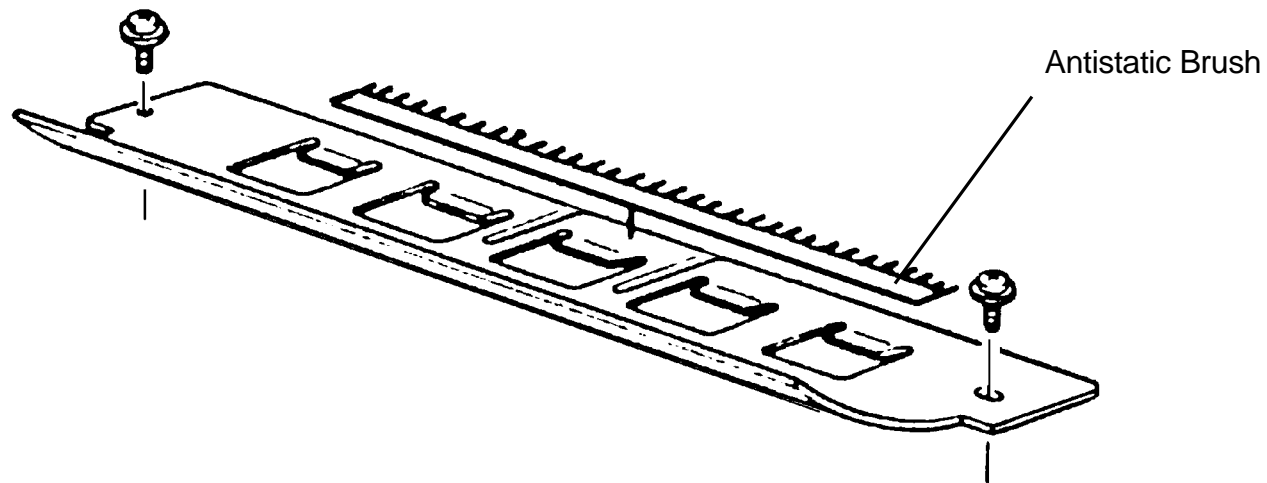
Rank:      A : Replace with new parts immediately.      B : Replace with new parts at time of repair.      C : Replace with new parts at time of overhaul.

Interchangeability:  
 (1) When old and new parts are not mutually interchangeable, use additional parts or an assembly part as indicated in "Parts needed for replacement by new part" to install the new part.  
 (2) The mark to the left of the slash indicates whether the old part can be used in the new machine, and the mark to the right indicates whether the new part can be used in the old machine.    x = Not interchangeable    o = Interchangeable



DETAILS OF MODIFICATION

To prevent paper jamming under low humidity conditions caused by static electricity on the paper, an antistatic brush is added on the upper second feed roller guide plate. Refer to RTB No. 3 for details.



T. Ito, Manager  
Copier Technical Support

| MODEL NAME   | V/Hz        | DESTINATION  | CODE    | SERIAL NUMBER                 |
|--------------|-------------|--------------|---------|-------------------------------|
| Ges 5330     | 120/60      | USA, Canada  | C212-12 | 50521070001                   |
| Ges 5330     | 110/60      | Taiwan       | C212-13 | From September '91 Production |
| Rex 1260     | 110/60      | Taiwan       | C212-14 | From September '91 Production |
| Rex 1260     | 120/60      | USA, Canada  | C212-15 | 50521080097                   |
| NSA CP330    | 120/60      | USA, Canada  | C212-16 | From September '91 Production |
| Ricoh VT2300 | 120/60      | USA, Canada  | C212-17 | From September '91 Production |
| Ricoh VT2300 | 110/60      | Taiwan       | C212-19 | From September '91 Production |
| Ges 5330     | 220, 240/50 | Europe, Asia | C212-22 | 50511070001                   |
| Rex 1260     | 220, 240/50 | Europe, Asia | C212-24 | From September '91 Production |
| NSA CP330    | 220, 240/50 | Europe, Asia | C212-25 | 50511080099                   |
| Ricoh VT2300 | 220, 240/50 | Europe       | C212-27 | C2811080001                   |
| Ricoh VT2300 | 220, 240/50 | Asia         | C212-29 | C2811070001                   |
| Ricoh VT2500 | 120/60      | USA, Canada  | C213-17 | From September '91 Production |
| Ricoh VT2500 | 110/60      | Taiwan       | C213-19 | From September '91 Production |
| Ricoh VT2500 | 220, 240/50 | Europe       | C213-27 | C2821070001                   |
| Ricoh VT2500 | 220, 240/50 | Asia         | C213-29 | C2821070024                   |

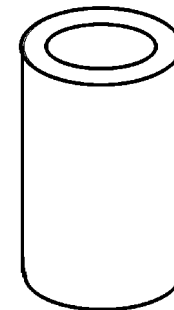
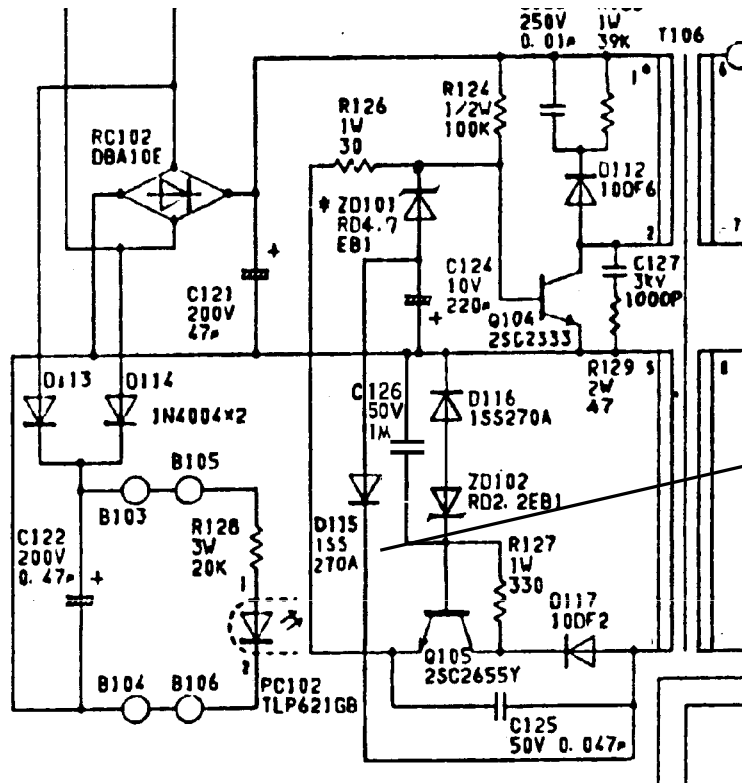
| <b>Model</b>                   | VT2300/2500, Ges 5330, Rex 1260, NSA CP330 |               |                         |        |                        |                     |   | <b>Volt/Hz</b> | <b>Date of Modification</b> | <b>Serial Number</b> |  |  |  |  |  |
|--------------------------------|--|---------------|-------------------------|--------|------------------------|---------------------|---|----------------|-----------------------------|----------------------|--|--|--|--|--|
| <b>Modified Article</b>        | Power Supply Unit                          |               |                         |        |                        |                     |   |                |                             |                      |  |  |  |  |  |
| <b>Reason for Modification</b> | Additional information for MB NO.7         |               |                         |        |                        |                     |   |                |                             |                      |  |  |  |  |  |
|                                |  |               |                         |        |                        |                     |   |                |                             |                      |  |  |  |  |  |
|                                |  |               |                         |        |                        |                     |   |                |                             |                      |  |  |  |  |  |
| Draw No.                       | Old Parts No.                              | New Parts No. | Description             | A.B.C. | Q'ty Used<br>Old → New | Inter-changeability | Part needed for replacement by new part |                | Parts Catalog               |                      |  |  |  |  |  |
|                                |  |               |                         | Rank   |                        |                     | Part No.                                | Description    | Index No.                   | Page                 |  |  |  |  |  |
|                                |  | C2138339      | Ferrite Core - B-20F-38 |        |                        |                     |   |                | * 254                       | 72                   |  |  |  |  |  |
|                                |  |               |                         |        |                        |                     |   |                |                             |                      |  |  |  |  |  |
|                                |  |               |                         |        |                        |                     |   |                |                             |                      |  |  |  |  |  |
|                                |  |               |                         |        |                        |                     |   |                |                             |                      |  |  |  |  |  |
|                                |  |               |                         |        |                        |                     |   |                |                             |                      |  |  |  |  |  |
|                                |  |               |                         |        |                        |                     |   |                |                             |                      |  |  |  |  |  |
|                                |  |               |                         |        |                        |                     |   |                |                             |                      |  |  |  |  |  |
|                                |  |               |                         |        |                        |                     |   |                |                             |                      |  |  |  |  |  |
|                                |  |               |                         |        |                        |                     |   |                |                             |                      |  |  |  |  |  |
|                                |  |               |                         |        |                        |                     |   |                |                             |                      |  |  |  |  |  |
|                                |  |               |                         |        |                        |                     |   |                |                             |                      |  |  |  |  |  |
|                                |  |               |                         |        |                        |                     |   |                |                             |                      |  |  |  |  |  |
|                                |  |               |                         |        |                        |                     |   |                |                             |                      |  |  |  |  |  |
|                                |  |               |                         |        |                        |                     |   |                |                             |                      |  |  |  |  |  |
|                                |  |               |                         |        |                        |                     |   |                |                             |                      |  |  |  |  |  |
|                                |  |               |                         |        |                        |                     |   |                |                             |                      |  |  |  |  |  |
|                                |  |               |                         |        |                        |                     |   | * New Index    |                             |                      |  |  |  |  |  |

Rank: A : Replace with new parts immediately. B : Replace with new parts at time of repair. C : Replace with new parts at time of overhaul.  
 Interchangeability:  
 (1) When old and new parts are not mutually interchangeable, use additional parts or an assembly part as indicated in "Parts needed for replacement by new part" to install the new part.  
 (2) The mark to the left of the slash indicates whether the old part can be used in the new machine, and the mark to the right indicates whether the new part can be used in the old machine. x = Not interchangeable o = Interchangeable

DETAILS OF MODIFICATION

To ensure that the power supply circuit responds quickly (Refer to the MB No. 7), a ferrite core is added to the anode of the diode D115.

Part number of the power supply unit has not been changed but suffix has been changed to B.



Ferrite Core - B-20F-38

T. Ito, Manager  
Copier Technical Support

| MODEL NAME   | V/Hz        | DESTINATION  | CODE    | SERIAL NUMBER              |
|--------------|-------------|--------------|---------|----------------------------|
| Ges 5330     | 120/60      | USA, Canada  | C212-12 | 50521070001                |
| Ges 5330     | 110/60      | Taiwan       | C212-13 | From August '91 Production |
| Rex 1260     | 110/60      | Taiwan       | C212-14 | From August '91 Production |
| Rex 1260     | 120/60      | USA, Canada  | C212-15 | From August '91 Production |
| NSA CP330    | 120/60      | USA, Canada  | C212-16 | From August '91 Production |
| Ricoh VT2300 | 120/60      | USA, Canada  | C212-17 | From August '91 Production |
| Ricoh VT2300 | 110/60      | Taiwan       | C212-19 | From August '91 Production |
| Ges 5330     | 220, 240/50 | Europe, Asia | C212-22 | 50511070001                |
| Rex 1260     | 220, 240/50 | Europe, Asia | C212-24 | From August '91 Production |
| NSA CP330    | 220, 240/50 | Europe, Asia | C212-25 | From August '91 Production |
| Ricoh VT2300 | 220, 240/50 | Europe       | C212-27 | From August '91 Production |
| Ricoh VT2300 | 220, 240/50 | Asia         | C212-29 | C2811070001                |
| Ricoh VT2500 | 120/60      | USA, Canada  | C213-17 | From August '91 Production |
| Ricoh VT2500 | 110/60      | Taiwan       | C213-19 | From August '91 Production |
| Ricoh VT2500 | 220, 240/50 | Europe       | C213-27 | C2821070001                |
| Ricoh VT2500 | 220, 240/50 | Asia         | C213-29 | C2821070024                |

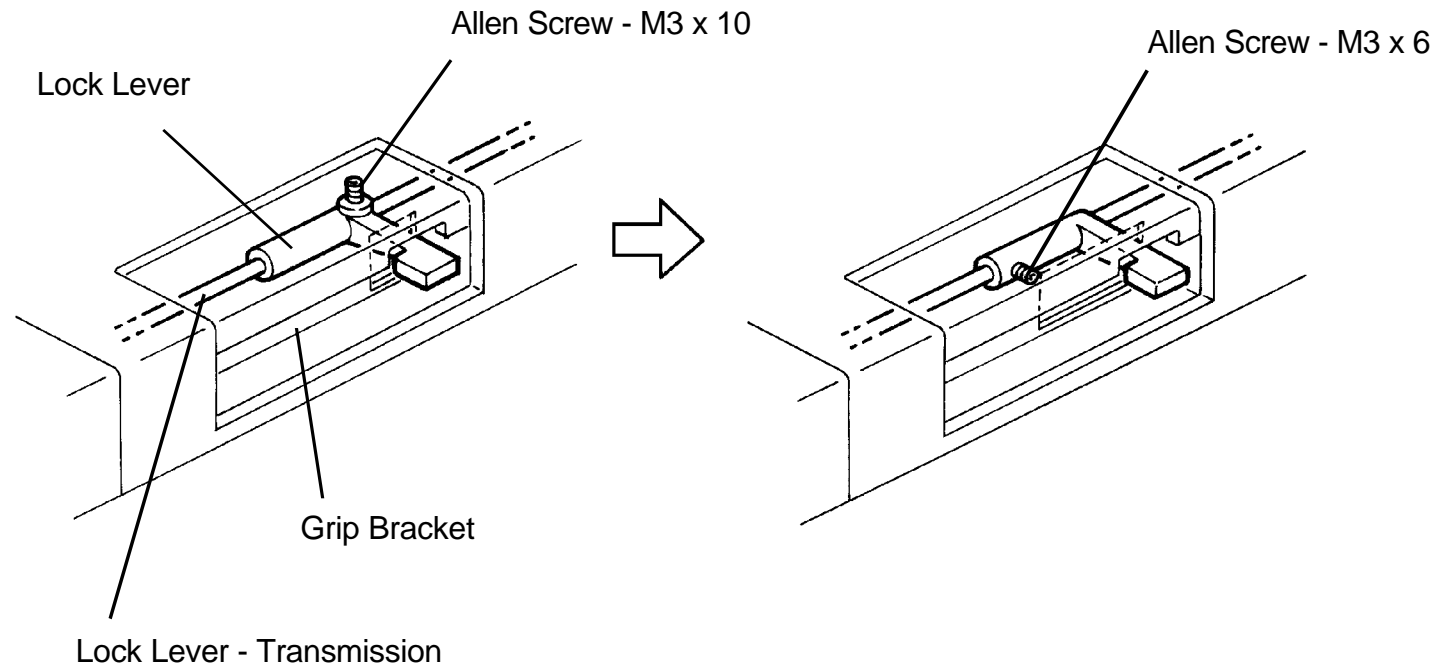
| <b>Model</b>                   |               | VT2300/2500, Ges 5330, Rex 1260, NSA CP330 |                           |        |                        |                     | <b>Volt/Hz</b>                          | <b>Date of Modification</b> | <b>Serial Number</b> |      |
|--------------------------------|---------------|--|---------------------------|--------|------------------------|---------------------|---|-----------------------------|----------------------|------|
| <b>Modified Article</b>        |               | Scanner Unit Lock Lever                    |                           |        |                        |                     |   |                             |                      |      |
| <b>Reason for Modification</b> |               | To facilitate servicing                    |                           |        |                        |                     |   |                             |                      |      |
|                                |               |  |                           |        |                        |                     |   |                             |                      |      |
|                                |               |  |                           |        |                        |                     |   |                             |                      |      |
| Draw No.                       | Old Parts No. | New Parts No.                              | Description               | A.B.C. | Q'ty Used<br>Old → New | Inter-changeability | Part needed for replacement by new part |                             | Parts Catalog        |      |
|                                |               |  |                           | Rank   |                        |                     | Part No.                                | Description                 | Index No.            | Page |
|                                | C2123122      | C2123124                                   | Grip Bracket - NRG        |        |                        | X/O                 |   |                             | 10                   | 49   |
|                                | C2033031      | C2033030                                   | Grip Bracket - Ricoh      |        |                        | X/O                 |   |                             | 10                   | 49   |
|                                | C2033032      | C2133032                                   | Lock Lever                |        |                        | X/X                 | X/O as a set                            |                             | 33                   | 49   |
|                                | C2033033      | C2133033                                   | Lock Lever - Transmission |        |                        | X/X                 |   |                             | 25                   | 49   |
|                                | 05530100E     |  | Allen Screw - M3 x 10     |        |                        | X/O                 |   |                             | 116                  | 49   |
|                                |               | 05530060E                                  | Allen Screw - M3 x 6      |        |                        |                     |   |                             |                      |      |
|                                |               |  |                           |        |                        |                     |   |                             |                      |      |
|                                |               |  |                           |        |                        |                     |   |                             |                      |      |
|                                |               |  |                           |        |                        |                     |   |                             |                      |      |
|                                |               |  |                           |        |                        |                     |   |                             |                      |      |
|                                |               |  |                           |        |                        |                     |   |                             |                      |      |

Rank: A : Replace with new parts immediately. B : Replace with new parts at time of repair. C : Replace with new parts at time of overhaul.  
 Interchangeability:  
 (1) When old and new parts are not mutually interchangeable, use additional parts or an assembly part as indicated in "Parts needed for replacement by new part" to install the new part.  
 (2) The mark to the left of the slash indicates whether the old part can be used in the new machine, and the mark to the right indicates whether the new part can be used in the old machine. x = Not interchangeable o = Interchangeable

**DETAILS OF MODIFICATION**

In the present machines, it is difficult to tighten the screw fixing the lock lever to the shaft. It is necessary to remove the scanner unit to access the screw.

To facilitate servicing, the direction of the screw has been changed and the cutout of the bracket has been enlarged so that a customer engineer can access the screw from the cutout of the bracket.



T. Ito, Manager  
Copier Technical Support

| MODEL NAME   | V/Hz        | DESTINATION  | CODE    | SERIAL NUMBER              |
|--------------|-------------|--------------|---------|----------------------------|
| Ges 5330     | 120/60      | USA, Canada  | C212-12 | 50521090001                |
| Ges 5330     | 110/60      | Taiwan       | C212-13 | 50531090001                |
| Rex 1260     | 110/60      | Taiwan       | C212-14 | From August '91 Production |
| Rex 1260     | 120/60      | USA, Canada  | C212-15 | From August '91 Production |
| NSA CP330    | 120/60      | USA, Canada  | C212-16 | From August '91 Production |
| Ricoh VT2300 | 120/60      | USA, Canada  | C212-17 | From August '91 Production |
| Ricoh VT2300 | 110/60      | Taiwan       | C212-19 | From August '91 Production |
| Ges 5330     | 220, 240/50 | Europe, Asia | C212-22 | 50511090001                |
| Rex 1260     | 220, 240/50 | Europe, Asia | C212-24 | From August '91 Production |
| NSA CP330    | 220, 240/50 | Europe, Asia | C212-25 | 50511090188                |
| Ricoh VT2300 | 220, 240/50 | Europe       | C212-27 | C2811090001                |
| Ricoh VT2300 | 220, 240/50 | Asia         | C212-29 | C2811090061                |
| Ricoh VT2500 | 120/60      | USA, Canada  | C213-17 | From August '91 Production |
| Ricoh VT2500 | 110/60      | Taiwan       | C213-19 | From August '91 Production |
| Ricoh VT2500 | 220, 240/50 | Europe       | C213-27 | C2821070001                |
| Ricoh VT2500 | 220, 240/50 | Asia         | C213-29 | C2821070024                |



| Model                   |               | VT2300/2500, Ges 5330. Rex 1260, NSA CP330          |                             |             |                     |                     | Volt/Hz                                 | Date of Modification | Serial Number |      |
|-------------------------|---------------|---|-----------------------------|-------------|---------------------|---------------------|---|----------------------|---------------|------|
| Modified Article        |               | Pressure Spring Link                                |                             |             |                     |                     |   |                      |               |      |
| Reason for Modification |               | To increase reliability of the pressure spring link |                             |             |                     |                     |   |                      |               |      |
|                         |               |   |                             |             |                     |                     |   |                      |               |      |
|                         |               |   |                             |             |                     |                     |   |                      |               |      |
| Draw No.                | Old Parts No. | New Parts No.                                       | Description                 | A.B.C. Rank | Q'ty Used Old → New | Inter-changeability | Part needed for replacement by new part |                      | Parts Catalog |      |
|                         |               |   |                             |             |                     |                     | Part No.                                | Description          | Index No.     | Page |
|                         | C2005543      | C2095543  | Pressure Roller Spring Link |             | 1 → 1               | X/X                 | _____                                   | X/O as a set         | 21            | 31   |
|                         |               | C2095521  | Joint Shaft                 |             | 0 → 1               |                     | _____                                   |                      | * 28          | 31   |
|                         |               | 07200030Z   | Retaining Ring - M3         |             | 0 → 2               |                     | _____                                   |                      | * 29          | 31   |
|                         |               |   |                             |             |                     |                     |   |                      |               |      |
|                         |               |   |                             |             |                     |                     |   |                      |               |      |
|                         |               |   |                             |             |                     |                     |   |                      | * New Index   |      |
|                         |               |   |                             |             |                     |                     |   |                      |               |      |
|                         |               |   |                             |             |                     |                     |   |                      |               |      |
|                         |               |   |                             |             |                     |                     |   |                      |               |      |
|                         |               |   |                             |             |                     |                     |   |                      |               |      |
|                         |               |   |                             |             |                     |                     |   |                      |               |      |
|                         |               |   |                             |             |                     |                     |   |                      |               |      |

Rank: A : Replace with new parts immediately. B : Replace with new parts at time of repair. C : Replace with new parts at time of overhaul.  
 Interchangeability:  
 (1) When old and new parts are not mutually interchangeable, use additional parts or an assembly part as indicated in "Parts needed for replacement by new part" to install the new part.  
 (2) The mark to the left of the slash indicates whether the old part can be used in the new machine, and the mark to the right indicates whether the new part can be used in the old machine. x = Not interchangeable o = Interchangeable

DETAILS OF MODIFICATION

To increase the reliability, the pressure spring link is modified as shown in the illustration 1. Due to this modification, the adjustment value of the bolt clearance [A] has been changed as shown in the illustration 2.

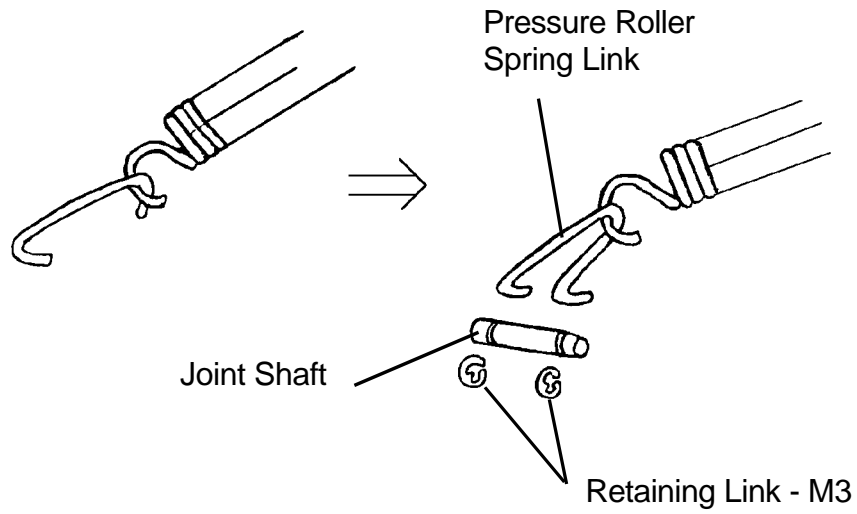


Illustration 1

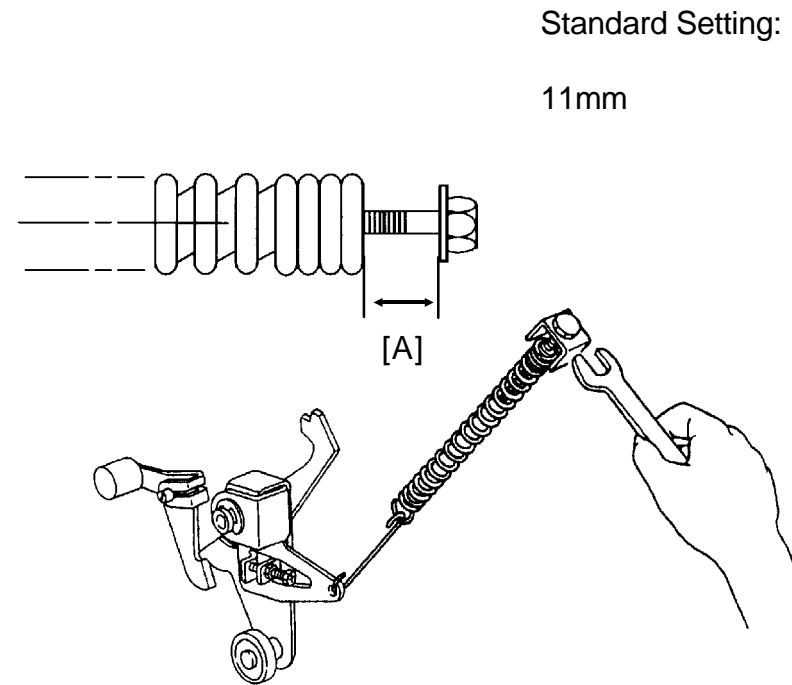


Illustration 2

T. Ito, Manager  
Copier Technical Support

| MODEL NAME   | V/Hz        | DESTINATION  | CODE    | SERIAL NUMBER                |
|--------------|-------------|--------------|---------|------------------------------|
| Ges 5330     | 120/60      | USA, Canada  | C212-12 | From December '91 Production |
| Ges 5330     | 110/60      | Taiwan       | C212-13 | 50531110001                  |
| Rex 1260     | 110/60      | Taiwan       | C212-14 | From December '91 Production |
| Rex 1260     | 120/60      | USA, Canada  | C212-15 | From December '91 Production |
| NSA CP330    | 120/60      | USA, Canada  | C212-16 | From December '91 Production |
| Ricoh VT2300 | 120/60      | USA, Canada  | C212-17 | From December '91 Production |
| Ricoh VT2300 | 110/60      | Taiwan       | C212-19 | From December '91 Production |
| Ges 5330     | 220, 240/50 | Europe, Asia | C212-22 | 50511110001                  |
| Rex 1260     | 220, 240/50 | Europe, Asia | C212-24 | C2811110001                  |
| NSA CP330    | 220, 240/50 | Europe, Asia | C212-25 | From December '91 Production |
| Ricoh VT2300 | 220, 240/50 | Europe       | C212-27 | From December '91 Production |
| Ricoh VT2300 | 220, 240/50 | Asia         | C212-29 | From December '91 Production |
| Ricoh VT2500 | 120/60      | USA, Canada  | C213-17 | From December '91 Production |
| Ricoh VT2500 | 110/60      | Taiwan       | C213-19 | From December '91 Production |
| Ricoh VT2500 | 220, 240/50 | Europe       | C213-27 | C2821110001                  |
| Ricoh VT2500 | 220, 240/50 | Asia         | C213-29 | C2821110009                  |

|                                |  |                |                             |                      |
|--------------------------------|--|----------------|-----------------------------|----------------------|
| <b>Model</b>                   | VT2300/2500, Ges 5330, Rex 1260, NSA CP330 | <b>Volt/Hz</b> | <b>Date of Modification</b> | <b>Serial Number</b> |
| <b>Modified Article</b>        | Ink Antechamber                            |                |                             |                      |
| <b>Reason for Modification</b> | Vender change                              |                |                             |                      |
|                                |  |                |                             |                      |
|                                |  |                |                             |                      |

Due to vendor change, the ink antechamber has been changed. The interchangeability is O/O.

| Old Part Number | New Part Number | Description     | Page | Index |
|-----------------|-----------------|-----------------|------|-------|
| C2004810        | C2134810        | Ink Antechamber | 39   | 20    |

T. Ito, Manager  
Copier Technical Support

| MODEL NAME   | V/Hz        | DESTINATION  | CODE    | SERIAL NUMBER             |
|--------------|-------------|--------------|---------|---------------------------|
| Ges 5330     | 120/60      | USA, Canada  | C212-12 | 50522020001               |
| Ges 5330     | 110/60      | Taiwan       | C212-13 | 50532020001               |
| Rex 1260     | 110/60      | Taiwan       | C212-14 | From April '92 Production |
| Rex 1260     | 120/60      | USA, Canada  | C212-15 | From April '92 Production |
| NSA CP330    | 120/60      | USA, Canada  | C212-16 | From April '92 Production |
| Ricoh VT2300 | 120/60      | USA, Canada  | C212-17 | From April '92 Production |
| Ricoh VT2300 | 110/60      | Taiwan       | C212-19 | From April '92 Production |
| Ges 5330     | 220, 240/50 | Europe, Asia | C212-22 | 50512020001               |
| Rex 1260     | 220, 240/50 | Europe, Asia | C212-24 | 50512020036               |
| NSA CP330    | 220, 240/50 | Europe, Asia | C212-25 | 50512020046               |
| Ricoh VT2300 | 220, 240/50 | Europe       | C212-27 | From April '92 Production |
| Ricoh VT2300 | 220, 240/50 | Asia         | C212-29 | C2812020001               |
| Ricoh VT2500 | 120/60      | USA, Canada  | C213-17 | From April '92 Production |
| Ricoh VT2500 | 110/60      | Taiwan       | C213-19 | From April '92 Production |
| Ricoh VT2500 | 220, 240/50 | Europe       | C213-27 | C2822020001               |
| Ricoh VT2500 | 220, 240/50 | Asia         | C213-29 | C2822020003               |

|                                |  |                |                             |                      |
|--------------------------------|--|----------------|-----------------------------|----------------------|
| <b>Model</b>                   | VT2300/2500, Ges5330, Rex1260, NSA CP330 | <b>Volt/Hz</b> | <b>Date of Modification</b> | <b>Serial Number</b> |
| <b>Modified Article</b>        | Parts Catalog                            |                |                             |                      |
| <b>Reason for Modification</b> | Parts Catalog Correction                 |                |                             |                      |
|                                |  |                |                             |                      |
|                                |  |                |                             |                      |

Please correct your parts catalog as follows:

| Incorrect Part Number | Correct Part Number | Description    | Page | Index |
|-----------------------|---------------------|----------------|------|-------|
| C2033017              | C2123114            | Original Guide | 51   | 5     |

T. Ito, Manager  
Copier Technical Support

| MODEL NAME   | V/Hz        | DESTINATION  | CODE    | SERIAL NUMBER |
|--------------|-------------|--------------|---------|---------------|
| Ges 5330     | 120/60      | USA, Canada  | C212-12 |               |
| Ges 5330     | 110/60      | Taiwan       | C212-13 |               |
| Rex 1260     | 110/60      | Taiwan       | C212-14 |               |
| Rex 1260     | 120/60      | USA, Canada  | C212-15 |               |
| NSA CP330    | 120/60      | USA, Canada  | C212-16 |               |
| Ricoh VT2300 | 120/60      | USA, Canada  | C212-17 |               |
| Ricoh VT2300 | 110/60      | Taiwan       | C212-19 |               |
| Ges 5330     | 220, 240/50 | Europe, Asia | C212-22 |               |
| Rex 1260     | 220, 240/50 | Europe, Asia | C212-24 |               |
| NSA CP330    | 220, 240/50 | Europe, Asia | C212-25 |               |
| Ricoh VT2300 | 220, 240/50 | Europe       | C212-27 |               |
| Ricoh VT2300 | 220, 240/50 | Asia         | C212-29 |               |
| Ricoh VT2500 | 120/60      | USA, Canada  | C213-17 |               |
| Ricoh VT2500 | 110/60      | Taiwan       | C213-19 |               |
| Ricoh VT2500 | 220, 240/50 | Europe       | C213-27 |               |
| Ricoh VT2500 | 220, 240/50 | Asia         | C213-29 |               |

| <b>Model</b>                   |               | VT2300/2500, Ges 5330, Rex 1260, NSA CP330 |                             |        |                        |                     | <b>Volt/Hz</b>                          | <b>Date of Modification</b> | <b>Serial Number</b> |      |
|--------------------------------|---------------|--|-----------------------------|--------|------------------------|---------------------|---|-----------------------------|----------------------|------|
| <b>Modified Article</b>        |               | Master Eject Sensor                        |                             |        |                        |                     |   |                             |                      |      |
| <b>Reason for Modification</b> |               | To increase reliability                    |                             |        |                        |                     |   |                             |                      |      |
| Draw No.                       | Old Parts No. | New Parts No.                              | Description                 | A.B.C. | Q'ty Used<br>Old → New | Inter-changeability | Part needed for replacement by new part |                             | Parts Catalog        |      |
|                                |               |  |                             | Rank   |                        |                     | Part No.                                | Description                 | Index No.            | Page |
|                                | C2078081      |  | Master Eject Sensor Harness |        |                        |                     |   |                             |                      |      |
|                                |               | C2133560                                   | Master Eject Sensor         |        | 1 → 1                  | X/O                 |   |                             | 26                   | 61   |
|                                |               |  |                             |        |                        |                     |   |                             |                      |      |
|                                |               |  |                             |        |                        |                     |   |                             |                      |      |
|                                |               |  |                             |        |                        |                     |   |                             |                      |      |
|                                |               |  |                             |        |                        |                     |   |                             |                      |      |
|                                |               |  |                             |        |                        |                     |   |                             |                      |      |
|                                |               |  |                             |        |                        |                     |   |                             |                      |      |
|                                |               |  |                             |        |                        |                     |   |                             |                      |      |
|                                |               |  |                             |        |                        |                     |   |                             |                      |      |
|                                |               |  |                             |        |                        |                     |   |                             |                      |      |
|                                |               |  |                             |        |                        |                     |   |                             |                      |      |
|                                |               |  |                             |        |                        |                     |   |                             |                      |      |
|                                |               |  |                             |        |                        |                     |   |                             |                      |      |
|                                |               |  |                             |        |                        |                     |   |                             |                      |      |
|                                |               |  |                             |        |                        |                     |   |                             |                      |      |
|                                |               |  |                             |        |                        |                     |   |                             |                      |      |
|                                |               |  |                             |        |                        |                     |   |                             |                      |      |

Rank: A : Replace with new parts immediately.      B : Replace with new parts at time of repair.      C : Replace with new parts at time of overhaul.

Interchangeability:

(1) When old and new parts are not mutually interchangeable, use additional parts or an assembly part as indicated in "Parts needed for replacement by new part" to install the new part.

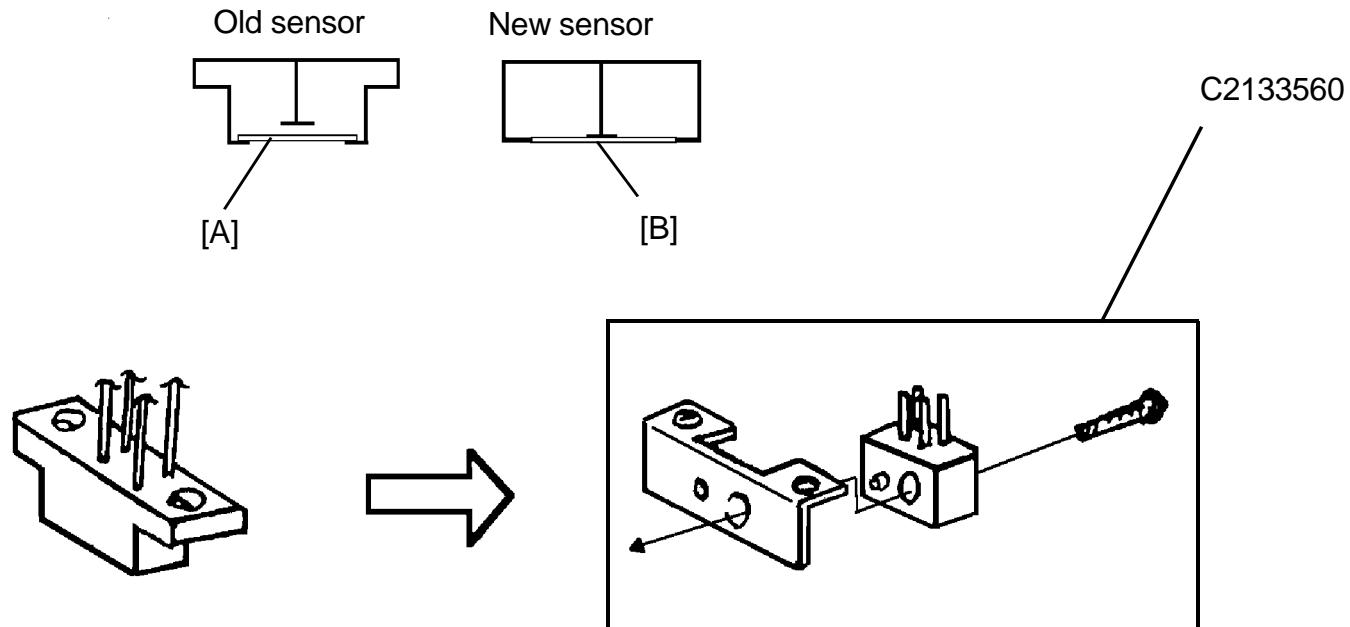
(2) The mark to the left of the slash indicates whether the old part can be used in the new machine, and the mark to the right indicates whether the new part can be used in the old machine.    x = Not interchangeable    o = Interchangeable



DETAILS OF MODIFICATION

It is sometimes reported that the master eject sensor does not detect the ejected master. This problem happened when the filter [A] was out of position. To prevent this, the drum master detection sensor has been modified. The filter [B] of the new sensor is fixed in position.

The new part C2133560 consists of a photosensor, a bracket and a screw. They are supplied as an assembly.



T. Ito, Manager  
Copier Technical Support

| MODEL NAME   | V/Hz        | DESTINATION  | CODE    | SERIAL NUMBER            |
|--------------|-------------|--------------|---------|--------------------------|
| Ges 5330     | 120/60      | USA, Canada  | C212-12 | 50522050001              |
| Ges 5330     | 110/60      | Taiwan       | C212-13 | From June '92 Production |
| Rex 1260     | 110/60      | Taiwan       | C212-14 | From June '92 Production |
| Rex 1260     | 120/60      | USA, Canada  | C212-15 | From June '92 Production |
| NSA CP330    | 120/60      | USA, Canada  | C212-16 | From June '92 Production |
| Ricoh VT2300 | 120/60      | USA, Canada  | C212-17 | From June '92 Production |
| Ricoh VT2300 | 110/60      | Taiwan       | C212-19 | From June '92 Production |
| Ges 5330     | 220, 240/50 | Europe, Asia | C212-22 | 50512050001              |
| Rex 1260     | 220, 240/50 | Europe, Asia | C212-24 | 50512050121              |
| NSA CP330    | 220, 240/50 | Europe, Asia | C212-25 | 50512050130              |
| Ricoh VT2300 | 220, 240/50 | Europe       | C212-27 | From June '92 Production |
| Ricoh VT2300 | 220, 240/50 | Asia         | C212-29 | C2812050001              |
| Ricoh VT2500 | 120/60      | USA, Canada  | C213-17 | From June '92 Production |
| Ricoh VT2500 | 110/60      | Taiwan       | C213-19 | From June '92 Production |
| Ricoh VT2500 | 220, 240/50 | Europe       | C213-27 | C2822050001              |
| Ricoh VT2500 | 220, 240/50 | Asia         | C213-29 | C2822050059              |

|                                |  |                |                             |                      |
|--------------------------------|--|----------------|-----------------------------|----------------------|
| <b>Model</b>                   | VT2300/2500, Ges5330, Rex1260, NSA CP330 | <b>Volt/Hz</b> | <b>Date of Modification</b> | <b>Serial Number</b> |
| <b>Modified Article</b>        | Drum drive gear                          |                |                             |                      |
| <b>Reason for Modification</b> | To increase durability                   |                |                             |                      |
|                                |  |                |                             |                      |
|                                |  |                |                             |                      |

To increase durability, the material of the drum drive gears (drum side and machine side) have been changed.

| Old Part Number | New Part Number | Description                  | Interchangeability | Page | Index |
|-----------------|-----------------|------------------------------|--------------------|------|-------|
| C2012218        | C2132218        | Stud & Gear - 30T            | X/O                | 13   | 1     |
| C2032330        | C2132330        | Drum Drive Gear/Pulley Ass'y | X/O                | 13   | 9     |
| C2034560        | C2134560        | Rear Drum Flange             | X/O                | 43   | 41    |

T. Ito, Manager  
Copier Technical Support

| MODEL NAME   | V/Hz        | DESTINATION  | CODE    | SERIAL NUMBER            |
|--------------|-------------|--------------|---------|--------------------------|
| Ges 5330     | 120/60      | USA, Canada  | C212-12 | 50522060001              |
| Ges 5330     | 110/60      | Taiwan       | C212-13 | From July '92 Production |
| Rex 1260     | 110/60      | Taiwan       | C212-14 | From July '92 Production |
| Rex 1260     | 120/60      | USA, Canada  | C212-15 | From July '92 Production |
| NSA CP330    | 120/60      | USA, Canada  | C212-16 | From July '92 Production |
| Ricoh VT2300 | 120/60      | USA, Canada  | C212-17 | From July '92 Production |
| Ricoh VT2300 | 110/60      | Taiwan       | C212-19 | From July '92 Production |
| Ges 5330     | 220, 240/50 | Europe, Asia | C212-22 | 50512060001              |
| Rex 1260     | 220, 240/50 | Europe, Asia | C212-24 | 50512060160              |
| NSA CP330    | 220, 240/50 | Europe, Asia | C212-25 | 50512060167              |
| Ricoh VT2300 | 220, 240/50 | Europe       | C212-27 | From July '92 Production |
| Ricoh VT2300 | 220, 240/50 | Asia         | C212-29 | From July '92 Production |
| Ricoh VT2500 | 120/60      | USA, Canada  | C213-17 | From July '92 Production |
| Ricoh VT2500 | 110/60      | Taiwan       | C213-19 | From July '92 Production |
| Ricoh VT2500 | 220, 240/50 | Europe       | C213-27 | From July '92 Production |
| Ricoh VT2500 | 220, 240/50 | Asia         | C213-29 | From July '92 Production |

|                                |  |                |                             |                      |
|--------------------------------|--|----------------|-----------------------------|----------------------|
| <b>Model</b>                   | VT2300/2500, Ges 5330, Rex 1260, NSA CP330 | <b>Volt/Hz</b> | <b>Date of Modification</b> | <b>Serial Number</b> |
| <b>Modified Article</b>        | Main Board Fuses                           |                |                             |                      |
| <b>Reason for Modification</b> | Vender change                              |                |                             |                      |
|                                |  |                |                             |                      |
|                                |  |                |                             |                      |

Due to vender change, part numbers of the main board fuses have been changed as follows:.

| Old Part Number | New Part Number | Description        | Interchangeability | Index | Page |
|-----------------|-----------------|--------------------|--------------------|-------|------|
| 11070585        | 11070713        | Fuse - 50A 125V    | O/O                | 109   | 69   |
|                 |                 | Fuse - K19374 / 2A |                    | 109   | 69   |
| 11070685        | 11070712        | Fuse - 50A 125V    | O/O                | 110   | 69   |
|                 |                 | Fuse - K19374 / 5A |                    | 110   | 69   |

The breaking capacity (50A/125V) was incorrectly described for the old parts descriptions. Values of the new descriptions are at the rated current.

T. Ito, Manager  
Copier Technical Support

| MODEL NAME   | V/Hz        | DESTINATION  | CODE    | SERIAL NUMBER |
|--------------|-------------|--------------|---------|---------------|
| Ges 5330     | 120/60      | USA, Canada  | C212-12 |               |
| Ges 5330     | 110/60      | Taiwan       | C212-13 |               |
| Rex 1260     | 110/60      | Taiwan       | C212-14 |               |
| Rex 1260     | 120/60      | USA, Canada  | C212-15 |               |
| NSA CP330    | 120/60      | USA, Canada  | C212-16 |               |
| Ricoh VT2300 | 120/60      | USA, Canada  | C212-17 |               |
| Ricoh VT2300 | 110/60      | Taiwan       | C212-19 |               |
| Ges 5330     | 220, 240/50 | Europe, Asia | C212-22 |               |
| Rex 1260     | 220, 240/50 | Europe, Asia | C212-24 |               |
| NSA CP330    | 220, 240/50 | Europe, Asia | C212-25 |               |
| Ricoh VT2300 | 220, 240/50 | Europe       | C212-27 |               |
| Ricoh VT2300 | 220, 240/50 | Asia         | C212-29 |               |
| Ricoh VT2500 | 120/60      | USA, Canada  | C213-17 |               |
| Ricoh VT2500 | 110/60      | Taiwan       | C213-19 |               |
| Ricoh VT2500 | 220, 240/50 | Europe       | C213-27 |               |
| Ricoh VT2500 | 220, 240/50 | Asia         | C213-29 |               |

| <b>Model</b>                   |               | VT2300/2500, Ges5330, Rex1260, NSA CP330     |                           |      |                        |                      | <b>Volt/Hz</b>                          | <b>Date of Modification</b> | <b>Serial Number</b> |      |
|--------------------------------|---------------|--|---------------------------|------|------------------------|----------------------|---|-----------------------------|----------------------|------|
| <b>Modified Article</b>        |               | Reverse Roller Clutch                        |                           |      |                        |                      |   |                             |                      |      |
| <b>Reason for Modification</b> |               | To erase horizontal white line in photo mode |                           |      |                        |                      |   |                             |                      |      |
|                                |               |  |                           |      |                        |                      |   |                             |                      |      |
|                                |               |  |                           |      |                        |                      |   |                             |                      |      |
| Draw No.                       | Old Parts No. | New Parts No.                                | Description               | Rank | Q'ty Used<br>Old → New | Inter-change-ability | Part needed for replacement by new part |                             | Parts Catalog        |      |
|                                |               |  |                           |      |                        |                      | Part No.                                | Description                 | No.                  | Page |
|                                | C2138112      | C2138116                                     | Main Board - 120V         |      | 1 → 1                  | O/O                  |   |                             | 31                   | 65   |
|                                | C2138113      | C2138117                                     | Main Board Europe, Taiwan |      | 1 → 1                  | O/O                  |   |                             | 31                   | 65   |
|                                | C2138045      | C2118057                                     | IC - μPD27C256AD - 20     |      | 1 → 1                  | O/O                  |   |                             | 32                   | 65   |
|                                |               |  |                           |      |                        |                      |   |                             |                      |      |
|                                |               |  |                           |      |                        |                      |   |                             |                      |      |
|                                |               |  |                           |      |                        |                      |   |                             |                      |      |
|                                |               |  |                           |      |                        |                      |   |                             |                      |      |
|                                |               |  |                           |      |                        |                      |   |                             |                      |      |
|                                |               |  |                           |      |                        |                      |   |                             |                      |      |

Rank: A : Replace with new parts immediately. B : Replace with new parts at time of repair. C : Replace with new parts at time of overhaul.

Interchangeability:

(1) When old and new parts are not mutually interchangeable, use additional parts or an assembly part as indicated in "Parts needed for replacement by new part" to install the new part.

(2) The mark to the left of the slash indicates whether the old part can be used in the new machine, and the mark to the right indicates whether the new part can be used in the old machine. x = Not interchangeable o = Interchangeable

| Draw No. | Old Parts No. | New Parts No. | Description                     | Rank | Q'ty Used<br>Old → New | Inter-changeability | Part needed for replacement by new part |             | Parts Catalog |      |
|----------|---------------|---------------|---------------------------------|------|------------------------|---------------------|---|-------------|---------------|------|
|          |               |               |                                 |      |                        |                     | Part No.                                | Description | No.           | Page |
|          | C2008440      |               | Reverse Roller Solenoid         |      | 1 → 0                  |                     |   |             |               |      |
|          | C2004223      |               | Reverse Solenoid Bracket        |      | 1 → 0                  |                     |   |             |               |      |
|          | C2004216      |               | Reverse Roller Clutch Barrel    |      | 1 → 0                  |                     |   |             |               |      |
|          | C2004217      |               | Reverse Roller Clutch Sleeve    |      | 1 → 0                  |                     |   |             |               |      |
|          | C2004215      |               | Reverse Roller Clutch Spring    |      | 1 → 0                  |                     |   |             |               |      |
|          | C2004213      |               | Pulley - 28T                    |      | 1 → 0                  |                     |   |             |               |      |
|          | C2014068      |               | Reverse Roller Clutch Pawl      |      | 1 → 0                  |                     |   |             |               |      |
|          | 56073616      |               | Guide Plate Spring              |      | 1 → 0                  |                     |   |             |               |      |
|          | 06220060E     |               | Spring Pin - 2 x 6mm            |      | 1 → 0                  |                     |   |             |               |      |
|          | 03140080Z     |               | Philips Screw - 4 x 8           |      | 1 → 0                  |                     |   |             |               |      |
|          | 05740060E     |               | Hexagon Headless Screw - M4 x 6 |      | 1 → 0                  |                     |   |             |               |      |
|          | 03130200Z     |               | Philips Screw - 3 x 5           |      | 1 → 0                  |                     |   |             |               |      |
|          | C2134046      |               | Upper Reverse Roller            |      | 1 → 0                  |                     |   |             |               |      |
|          |               | C2154200      | Clutch Stopper                  |      | 0 → 1                  |                     |   |             |               |      |
|          |               | C2158240      | Reverse Roller Clutch           |      | 0 → 1                  |                     |   |             |               |      |
|          |               | 09604008Z     | Flange Head Screw - 4 x 8       |      | 0 → 1                  |                     |   |             |               |      |
|          |               | C2154046      | Upper Reverse Roller            |      | 0 → 1                  |                     |   |             |               |      |

X/O as a set



**DETAILS OF MODIFICATION**

It has been found that a horizontal thin white line appears 64 mm from the leading edge of prints. The line may be visible when the image is made using the photo mode. This line is caused by a shock wave when the master is clamped by the drum master clamber.

1. To erase this white line, the software has been changed to delay the timing of the master clamping. With the old software, the reverse roller solenoid [A] and the master clamber solenoid were turned off at the same time. (Due to the slow response of the old spring clutch, the reverse roller stops feeding the master after the master was clamped.) The new software enables that the master is clamped when the master is fed 2 mm further after the reverse roller stops feeding the master. This allows to make a small buckle of the master, which absorbs the shock wave, between the platen roller and the reverse roller before the leading edge of the master is clamped.

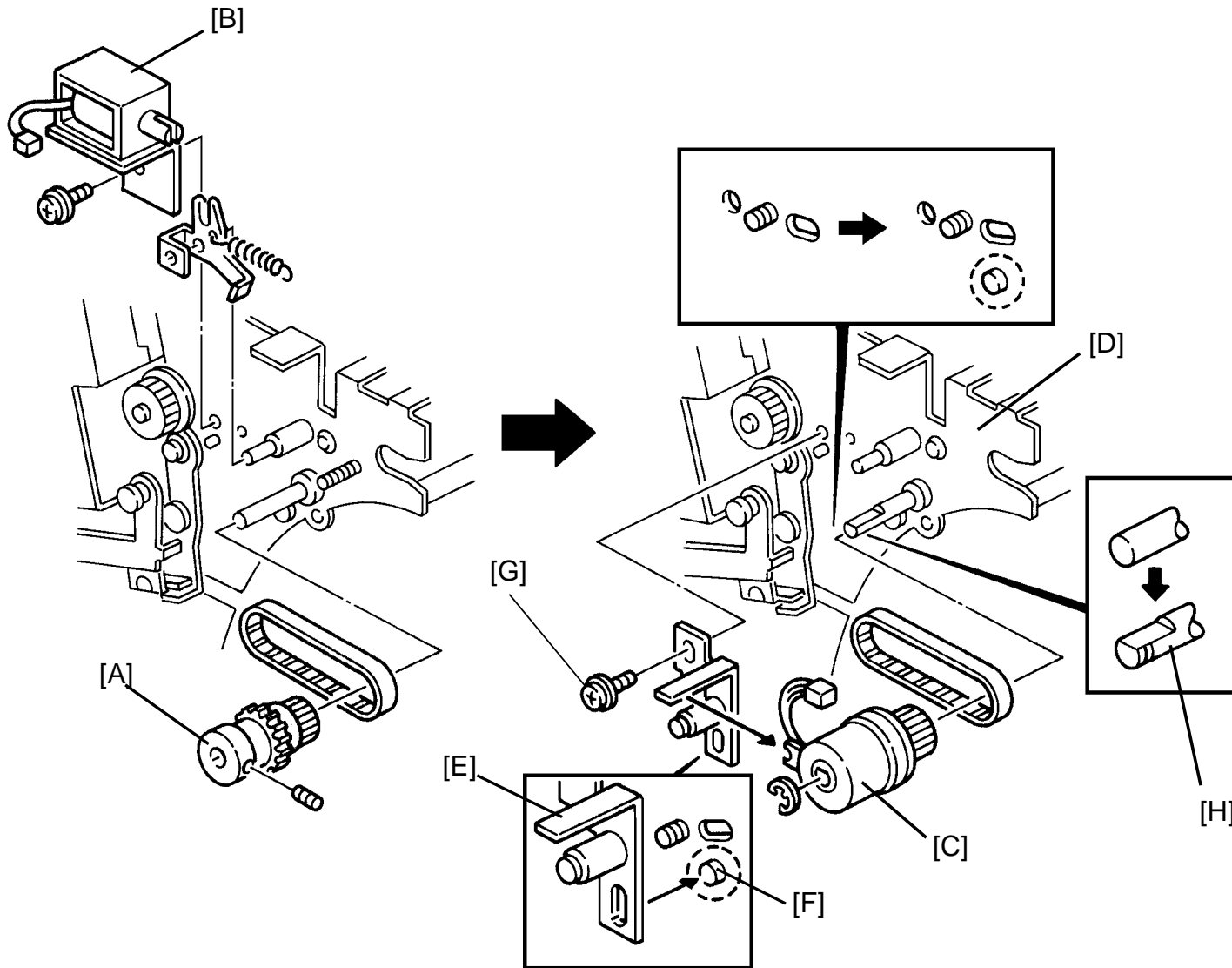
The new ROM can be used also for existing machines. The only side effect is that the image on prints is forwarded about 1 or 2 mm due to the slow response of the old mechanism. (This value varies due to ratchets of the clutch gear.) If the old ROM is used for a modified machine (this is the same situation as the new clutch mechanism installed on the old machine), the image is shifted approximately 0.6 mm backwards.

NOTE: The part numbers of the ROMs and main PCBs for the VT2000 series have been changed. The main PCBs have not been changed except for the ROMs. The old PCBs and the new PCBs are interchangeable.

2. To enable the proper reverse roller stop timing, the reverse roller clutch mechanism has been changed from the combination of a solenoid [A] and a spring clutch [B] to an electrical clutch [C]. To cope with the strictly controlled reverse roller stop timing, the electrical clutch responds a little bit quicker than the old clutch mechanism. (If the old spring clutch is used, the only side effect is as mentioned above.)

To make assembly of the clutch stopper [E] in the factory easier, a projection [F] is added on the right side plate [D] (C2164005). Even if the side plate does not have this projection, the clutch stopper can be installed on the side plate with one screw [G] (09604008Z). So, the part number of the right side plate has not been changed. Also, the shape of the upper reverse roller shaft [H] has been changed to match the electrical clutch. The old spring clutch [B] can be replaced with the new electrical clutch [C] (C2158240) with the clutch stopper [G] (C2154200) and the upper reverse roller (C2154046).

**DETAILS OF MODIFICATION**



T. Ito, Manager  
Copier Technical Support

| MODEL NAME   | V/Hz        | DESTINATION  | CODE    | SERIAL NUMBER                 |
|--------------|-------------|--------------|---------|-------------------------------|
| Ges 5330     | 120/60      | USA, Canada  | C212-12 | 50523040001                   |
| Ges 5330     | 110/60      | Taiwan       | C212-13 | From September '93 Production |
| Rex 1260     | 110/60      | Taiwan       | C212-14 | From September '93 Production |
| Rex 1260     | 120/60      | USA, Canada  | C212-15 | From September '93 Production |
| NSA CP330    | 120/60      | USA, Canada  | C212-16 | From September '93 Production |
| Ricoh VT2300 | 120/60      | USA, Canada  | C212-17 | From September '93 Production |
| Ricoh VT2300 | 110/60      | Taiwan       | C212-19 | From September '93 Production |
| Ges 5330     | 220, 240/50 | Europe, Asia | C212-22 | 50513060001                   |
| Rex 1260     | 220, 240/50 | Europe, Asia | C212-24 | From September '93 Production |
| NSA CP330    | 220, 240/50 | Europe, Asia | C212-25 | 50513060006                   |
| Ricoh VT2300 | 220, 240/50 | Europe       | C212-27 | From September '93 Production |
| Ricoh VT2300 | 220, 240/50 | Asia         | C212-29 | C2813050001                   |
| Ricoh VT2500 | 120/60      | USA, Canada  | C213-17 | From September '93 Production |
| Ricoh VT2500 | 110/60      | Taiwan       | C213-19 | From September '93 Production |
| Ricoh VT2500 | 220, 240/50 | Europe       | C213-27 | From September '93 Production |
| Ricoh VT2500 | 220, 240/50 | Asia         | C213-29 | C2823060001                   |

|                                |  |                |                             |                      |
|--------------------------------|--|----------------|-----------------------------|----------------------|
| <b>Model</b>                   | VT2300/2500, Ges5330, Rex1260, NSA CP330 | <b>Volt/Hz</b> | <b>Date of Modification</b> | <b>Serial Number</b> |
| <b>Modified Article</b>        | ADF Stopper                              |                |                             |                      |
| <b>Reason for Modification</b> | Parts standardization                    |                |                             |                      |
|                                |  |                |                             |                      |
|                                |  |                |                             |                      |

Due to parts standardization, the following part has been changed.


| Old P/N  | New P/N  | Description | Q'ty Used | Inter-change-ability | Parts Catalog |      |
|----------|----------|-------------|-----------|----------------------|---------------|------|
|          |          |             |           |                      | Index No.     | Page |
| C2023131 | C2093141 | Stopper     | 1 → 1     | O/O                  | 31            | 47   |

S. Hamano, Assistant General Manager  
Technical Support Department

| MODEL NAME   | V/Hz        | DESTINATION  | CODE    | SERIAL NUMBER |
|--------------|-------------|--------------|---------|---------------|
| Ges 5330     | 120/60      | USA, Canada  | C212-12 |               |
| Ges 5330     | 110/60      | Taiwan       | C212-13 |               |
| Rex 1260     | 110/60      | Taiwan       | C212-14 |               |
| Rex 1260     | 120/60      | USA, Canada  | C212-15 |               |
| NSA CP330    | 120/60      | USA, Canada  | C212-16 |               |
| Ricoh VT2300 | 120/60      | USA, Canada  | C212-17 |               |
| Ricoh VT2300 | 110/60      | Taiwan       | C212-19 |               |
| Ges 5330     | 220, 240/50 | Europe, Asia | C212-22 |               |
| Rex 1260     | 220, 240/50 | Europe, Asia | C212-24 |               |
| NSA CP330    | 220, 240/50 | Europe, Asia | C212-25 |               |
| Ricoh VT2300 | 220, 240/50 | Europe       | C212-27 |               |
| Ricoh VT2300 | 220, 240/50 | Asia         | C212-29 |               |
| Ricoh VT2500 | 120/60      | USA, Canada  | C213-17 |               |
| Ricoh VT2500 | 110/60      | Taiwan       | C213-19 |               |
| Ricoh VT2500 | 220, 240/50 | Europe       | C213-27 |               |
| Ricoh VT2500 | 220, 240/50 | Asia         | C213-29 |               |

|                                |  |                |                             |                      |
|--------------------------------|--|----------------|-----------------------------|----------------------|
| <b>Model</b>                   | VT2300/2500, Ges 5330, Rex 1260, NSA CP330 | <b>Volt/Hz</b> | <b>Date of Modification</b> | <b>Serial Number</b> |
| <b>Modified Article</b>        | Upper Hinge - Front Door                   |                |                             |                      |
| <b>Reason for Modification</b> | Parts standardization                      |                |                             |                      |

Due to parts standardization, the following part has been changed.

| Old P/N  | New P/N  | Description              | Q'ty Used | Inter-change-ability | Parts Catalog   |      |
|----------|----------|--------------------------|-----------|----------------------|---|------|
|          |          |                          |           |                      | Index No.   | Page |
| C2132405 | C2162405 | Upper Hinge - Front Door | 1 → 1     | O/O                  |  | 9    |

S. Hamano, Assistant General Manager  
 Technical Support Department

| MODEL NAME   | V/Hz        | DESTINATION  | CODE    | SERIAL NUMBER |
|--------------|-------------|--------------|---------|---------------|
| Ges 5330     | 120/60      | USA, Canada  | C212-12 |               |
| Ges 5330     | 110/60      | Taiwan       | C212-13 |               |
| Rex 1260     | 110/60      | Taiwan       | C212-14 |               |
| Rex 1260     | 120/60      | USA, Canada  | C212-15 |               |
| NSA CP330    | 120/60      | USA, Canada  | C212-16 |               |
| Ricoh VT2300 | 120/60      | USA, Canada  | C212-17 |               |
| Ricoh VT2300 | 110/60      | Taiwan       | C212-19 |               |
| Ges 5330     | 220, 240/50 | Europe, Asia | C212-22 |               |
| Rex 1260     | 220, 240/50 | Europe, Asia | C212-24 |               |
| NSA CP330    | 220, 240/50 | Europe, Asia | C212-25 |               |
| Ricoh VT2300 | 220, 240/50 | Europe       | C212-27 |               |
| Ricoh VT2300 | 220, 240/50 | Asia         | C212-29 |               |
| Ricoh VT2500 | 120/60      | USA, Canada  | C213-17 |               |
| Ricoh VT2500 | 110/60      | Taiwan       | C213-19 |               |
| Ricoh VT2500 | 220, 240/50 | Europe       | C213-27 |               |
| Ricoh VT2500 | 220, 240/50 | Asia         | C213-29 |               |

| <b>Model</b>                   |               | VT2300/2500, Ges5330, Rex1260, NSA CP330 |                         |      |                      |                    | <b>Volt/Hz</b>                           | <b>Date of Modification</b> | <b>Serial Number</b> |      |
|--------------------------------|---------------|--|-------------------------|------|----------------------|--------------------|--|-----------------------------|----------------------|------|
| <b>Modified Article</b>        |               | Lever Shaft                              |                         |      |                      |                    |  |                             |                      |      |
| <b>Reason for Modification</b> |               | To facilitate servicing                  |                         |      |                      |                    |  |                             |                      |      |
| Draw No.                       | Old Parts No. | New Parts No.                            | Description             | Rank | Q'ty Used<br>Old→New | Interchangeability | Parts needed for replacement by new part |                             | Parts Catalog        |      |
|                                |               |  |                         |      |                      |                    | Part No.                                 | Description                 | No.                  | Page |
|                                | C2035010      |  | Lever Shaft             |      | 2 → 0                |                    |  |                             | 4                    | 23   |
|                                |               | C2095220                                 | Spacer - 4 x 20 x 6     |      | 0 → 2                |                    |  | O/O as a set                | 4                    | 23   |
|                                |               | 03140100Z                                | Philips Screw - M4 x 10 |      | 0 → 2                |                    |  |                             | *111                 | 23   |
|                                |               |  |                         |      |                      |                    |  | * New Index                 |                      |      |
|                                |               |  |                         |      |                      |                    |  |                             |                      |      |
|                                |               |  |                         |      |                      |                    |  |                             |                      |      |
|                                |               |  |                         |      |                      |                    |  |                             |                      |      |
|                                |               |  |                         |      |                      |                    |  |                             |                      |      |
|                                |               |  |                         |      |                      |                    |  |                             |                      |      |
|                                |               |  |                         |      |                      |                    |  |                             |                      |      |
|                                |               |  |                         |      |                      |                    |  |                             |                      |      |

Rank: A : Replace with new parts immediately. B : Replace with new parts at time of repair. C : Replace with new parts at time of overhaul.

Interchangeability:

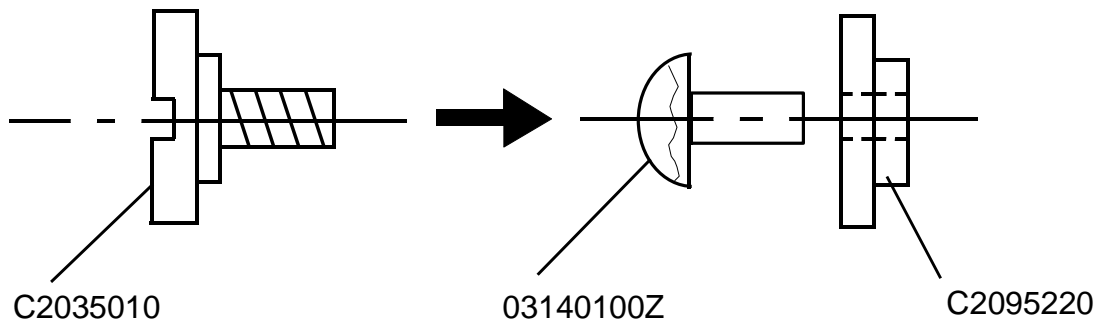
(1) When old and new parts are not mutually interchangeable, use additional parts or an assembly part as indicated in "Parts needed for replacement by new part" to install the new part.

(2) The mark to the left of the slash indicates whether the old part can be used in the new machine, and the mark to the right indicates whether the new part can be used in the old machine. x = Not interchangeable o = Interchangeable



**DETAILS OF MODIFICATION**

To facilitate servicing, the stepped screw supporting the paper feed pressure lever has been changed with a combination of a spacer and a philips screw - M4 x 10.



S. Hamano, Assistant General Manager  
Technical Support Department

| MODEL NAME   | V/Hz        | DESTINATION  | CODE    | SERIAL NUMBER |
|--------------|-------------|--------------|---------|---------------|
| Ges 5330     | 120/60      | USA, Canada  | C212-12 |               |
| Ges 5330     | 110/60      | Taiwan       | C212-13 |               |
| Rex 1260     | 110/60      | Taiwan       | C212-14 |               |
| Rex 1260     | 120/60      | USA, Canada  | C212-15 |               |
| NSA CP330    | 120/60      | USA, Canada  | C212-16 |               |
| Ricoh VT2300 | 120/60      | USA, Canada  | C212-17 |               |
| Ricoh VT2300 | 110/60      | Taiwan       | C212-19 |               |
| Ges 5330     | 220, 240/50 | Europe, Asia | C212-22 |               |
| Rex 1260     | 220, 240/50 | Europe, Asia | C212-24 |               |
| NSA CP330    | 220, 240/50 | Europe, Asia | C212-25 |               |
| Ricoh VT2300 | 220, 240/50 | Europe       | C212-27 |               |
| Ricoh VT2300 | 220, 240/50 | Asia         | C212-29 |               |
| Ricoh VT2500 | 120/60      | USA, Canada  | C213-17 |               |
| Ricoh VT2500 | 110/60      | Taiwan       | C213-19 |               |
| Ricoh VT2500 | 220, 240/50 | Europe       | C213-27 |               |
| Ricoh VT2500 | 220, 240/50 | Asia         | C213-29 |               |

|                                |  |                |                             |                      |
|--------------------------------|--|----------------|-----------------------------|----------------------|
| <b>Model</b>                   | VT2300/2500, Ges5330, Rex1260, NSA CP330 | <b>Volt/Hz</b> | <b>Date of Modification</b> | <b>Serial Number</b> |
| <b>Modified Article</b>        | Drum Rail Stay                           |                |                             |                      |
| <b>Reason for Modification</b> | Parts standardization                    |                |                             |                      |

Due to parts standardization, the following part has been changed.

| Incorrect P/N | Correct P/N | Description    | Q'ty Used | Inter-changeability | Parts Catalog |      |
|---------------|-------------|----------------|-----------|---------------------|---------------|------|
|               |             |                |           |                     | Index No.     | Page |
| C2074502      | C2154502    | Drum Rail Stay | 1 → 1     | O/O                 | 32            | 11   |

S. Hamano, Assistant General Manager  
 Technical Support Department

| MODEL NAME   | V/Hz        | DESTINATION  | CODE    | SERIAL NUMBER |
|--------------|-------------|--------------|---------|---------------|
| Ges 5330     | 120/60      | USA, Canada  | C212-12 |               |
| Ges 5330     | 110/60      | Taiwan       | C212-13 |               |
| Rex 1260     | 110/60      | Taiwan       | C212-14 |               |
| Rex 1260     | 120/60      | USA, Canada  | C212-15 |               |
| NSA CP330    | 120/60      | USA, Canada  | C212-16 |               |
| Ricoh VT2300 | 120/60      | USA, Canada  | C212-17 |               |
| Ricoh VT2300 | 110/60      | Taiwan       | C212-19 |               |
| Ges 5330     | 220, 240/50 | Europe, Asia | C212-22 |               |
| Rex 1260     | 220, 240/50 | Europe, Asia | C212-24 |               |
| NSA CP330    | 220, 240/50 | Europe, Asia | C212-25 |               |
| Ricoh VT2300 | 220, 240/50 | Europe       | C212-27 |               |
| Ricoh VT2300 | 220, 240/50 | Asia         | C212-29 |               |
| Ricoh VT2500 | 120/60      | USA, Canada  | C213-17 |               |
| Ricoh VT2500 | 110/60      | Taiwan       | C213-19 |               |
| Ricoh VT2500 | 220, 240/50 | Europe       | C213-27 |               |

|                                |  |                |                             |                      |
|--------------------------------|--|----------------|-----------------------------|----------------------|
| <b>Model</b>                   | VT2300/2500, Ges5330, Rex1260, NSA CP330 | <b>Volt/Hz</b> | <b>Date of Modification</b> | <b>Serial Number</b> |
| <b>Modified Article</b>        | AC Drive Board                           |                |                             |                      |
| <b>Reason for Modification</b> | Vender change                            |                |                             |                      |

Due to a vender change, the subcomponents of the AC drive board have been changed.

| Old P/N  | New P/N  | Description                          | Q'ty Used         | Inter-change-ability | Parts Catalog |      |
|----------|----------|--------------------------------------|-------------------|----------------------|---------------|------|
|          |          |                                      |                   |                      | Index No.     | Page |
| 16001138 | 16001639 | Resistor - 1 $\Omega$ 5T $\pm$ 10%   | 1 $\rightarrow$ 1 | O/O                  | 119           | 75   |
| 16001139 | 16001640 | Resistor - 6.8 $\Omega$ 5T $\pm$ 10% | 1 $\rightarrow$ 1 | O/O                  | 120           | 75   |
| 16041196 | 16042528 | Capacitor - 100 $\mu$ F 50V          | 1 $\rightarrow$ 1 | O/O                  | 122           | 75   |

S. Hamano, Assistant General Manager  
 Technical Support Department

| MODEL NAME   | V/Hz        | DESTINATION  | CODE    | SERIAL NUMBER |
|--------------|-------------|--------------|---------|---------------|
| Ges 5330     | 120/60      | USA, Canada  | C212-12 |               |
| Ges 5330     | 110/60      | Taiwan       | C212-13 |               |
| Rex 1260     | 110/60      | Taiwan       | C212-14 |               |
| Rex 1260     | 120/60      | USA, Canada  | C212-15 |               |
| NSA CP330    | 120/60      | USA, Canada  | C212-16 |               |
| Ricoh VT2300 | 120/60      | USA, Canada  | C212-17 |               |
| Ricoh VT2300 | 110/60      | Taiwan       | C212-19 |               |
| Ges 5330     | 220, 240/50 | Europe, Asia | C212-22 |               |
| Rex 1260     | 220, 240/50 | Europe, Asia | C212-24 |               |
| NSA CP330    | 220, 240/50 | Europe, Asia | C212-25 |               |
| Ricoh VT2300 | 220, 240/50 | Europe       | C212-27 |               |
| Ricoh VT2300 | 220, 240/50 | Asia         | C212-29 |               |
| Ricoh VT2500 | 120/60      | USA, Canada  | C213-17 |               |
| Ricoh VT2500 | 110/60      | Taiwan       | C213-19 |               |
| Ricoh VT2500 | 220, 240/50 | Europe       | C213-27 |               |
| Ricoh VT2500 | 220, 240/50 | Asia         | C213-29 |               |

|                                |  |                |                             |                      |
|--------------------------------|--|----------------|-----------------------------|----------------------|
| <b>Model</b>                   | VT2300/2500, Ges5330, Rex1260, NSA CP330 | <b>Volt/Hz</b> | <b>Date of Modification</b> | <b>Serial Number</b> |
| <b>Modified Article</b>        | Circuit Breaker                          |                |                             |                      |
| <b>Reason for Modification</b> | Vender change                            |                |                             |                      |
|                                |  |                |                             |                      |
|                                |  |                |                             |                      |

Due to a vender change, the following parts have been changed.

| Old P/N  | New P/N  | Description                     | Q'ty Used | Inter-change-ability | Parts Catalog |      |
|----------|----------|---------------------------------|-----------|----------------------|---------------|------|
|          |          |                                 |           |                      | Index No.     | Page |
| C2032059 | C2162059 | Circuit Breaker Bracket         | 1 → 1     | X/X                  | 43            | 65   |
| 11070134 | 11070782 | Circuit Breaker - 5A (220/240V) | 1 → 1     | X/X                  | 127           | 65   |
| 11070154 | 11070783 | Circuit Breaker - 7A (110/120V) | 1 → 1     | X/X                  | 127           | 65   |

O/O as a set

S. Hamano, Assistant General Manager  
 Technical Support Department

| MODEL NAME   | V/Hz        | DESTINATION  | CODE    | SERIAL NUMBER             |
|--------------|-------------|--------------|---------|---------------------------|
| Ges 5330     | 120/60      | USA, Canada  | C212-12 | From March '94 Production |
| Ges 5330     | 110/60      | Taiwan       | C212-13 | From March '94 Production |
| Rex 1260     | 110/60      | Taiwan       | C212-14 | From March '94 Production |
| Rex 1260     | 120/60      | USA, Canada  | C212-15 | From March '94 Production |
| NSA CP330    | 120/60      | USA, Canada  | C212-16 | From March '94 Production |
| Ricoh VT2300 | 120/60      | USA, Canada  | C212-17 | From March '94 Production |
| Ricoh VT2300 | 110/60      | Taiwan       | C212-19 | From March '94 Production |
| Ges 5330     | 220, 240/50 | Europe, Asia | C212-22 | 50514020001               |
| Rex 1260     | 220, 240/50 | Europe, Asia | C212-24 | From March '94 Production |
| NSA CP330    | 220, 240/50 | Europe, Asia | C212-25 | From March '94 Production |
| Ricoh VT2300 | 220, 240/50 | Europe       | C212-27 | From March '94 Production |
| Ricoh VT2300 | 220, 240/50 | Asia         | C212-29 | From March '94 Production |
| Ricoh VT2500 | 120/60      | USA, Canada  | C213-17 | From March '94 Production |
| Ricoh VT2500 | 110/60      | Taiwan       | C213-19 | From March '94 Production |
| Ricoh VT2500 | 220, 240/50 | Europe       | C213-27 | From March '94 Production |
| Ricoh VT2500 | 220, 240/50 | Asia         | C213-29 | C2814020001               |



|                                |  |                |                             |                      |
|--------------------------------|--|----------------|-----------------------------|----------------------|
| <b>Model</b>                   | VT2300/2500, Ges5330, Rex1260, NSA CP330 | <b>Volt/Hz</b> | <b>Date of Modification</b> | <b>Serial Number</b> |
| <b>Modified Article</b>        | AC Drive Board                           |                |                             |                      |
| <b>Reason for Modification</b> | To improve reliability                   |                |                             |                      |

| Old P/N  | New P/N  | Description         | Q'ty Used | Inter-change-ability | Parts Catalog |      |
|----------|----------|---------------------|-----------|----------------------|---------------|------|
|          |          |                     |           |                      | Index No.     | Page |
| 12081245 |          | Relay - DC24V       | 4 → 2     |                      | 109           | 79   |
|          | 12081042 | Power Relay - DC24V | 0 → 2     | X/O                  | * 129         | 79   |

\* New Index

To improve reliability, the relays (RA303 and RA304) for the driving paper table drive motor have been changed.

S. Hamano, Assistant General Manager  
 Technical Support Department

| MODEL NAME   | V/Hz        | DESTINATION  | CODE    | SERIAL NUMBER              |
|--------------|-------------|--------------|---------|----------------------------|
| Ges 5330     | 120/60      | USA, Canada  | C212-12 | 50523070001                |
| Ges 5330     | 110/60      | Taiwan       | C212-13 | From August '93 Production |
| Rex 1260     | 110/60      | Taiwan       | C212-14 | From August '93 Production |
| Rex 1260     | 120/60      | USA, Canada  | C212-15 | From August '93 Production |
| NSA CP330    | 120/60      | USA, Canada  | C212-16 | From August '93 Production |
| Ricoh VT2300 | 120/60      | USA, Canada  | C212-17 | From August '93 Production |
| Ricoh VT2300 | 110/60      | Taiwan       | C212-19 | From August '93 Production |
| Ges 5330     | 220, 240/50 | Europe, Asia | C212-22 | 50513070001                |
| Rex 1260     | 220, 240/50 | Europe, Asia | C212-24 | From August '93 Production |
| NSA CP330    | 220, 240/50 | Europe, Asia | C212-25 | From August '93 Production |
| Ricoh VT2300 | 220, 240/50 | Europe       | C212-27 | From August '93 Production |
| Ricoh VT2300 | 220, 240/50 | Asia         | C212-29 | From August '93 Production |
| Ricoh VT2500 | 120/60      | USA, Canada  | C213-17 | From August '93 Production |
| Ricoh VT2500 | 110/60      | Taiwan       | C213-19 | From August '93 Production |
| Ricoh VT2500 | 220, 240/50 | Europe       | C213-27 | From August '93 Production |
| Ricoh VT2500 | 220, 240/50 | Asia         | C213-29 | From August '93 Production |

|                                |  |                |                             |                      |
|--------------------------------|--|----------------|-----------------------------|----------------------|
| <b>Model</b>                   | VT2300/2500, Ges5330, Rex1260, NSA CP330 | <b>Volt/Hz</b> | <b>Date of Modification</b> | <b>Serial Number</b> |
| <b>Modified Article</b>        | Transformer                              |                |                             |                      |
| <b>Reason for Modification</b> | To meet new safety standard              |                |                             |                      |

| Old P/N  | New P/N  | Description             | Q'ty Used | Inter-change-ability | Parts Catalog |      |
|----------|----------|-------------------------|-----------|----------------------|---------------|------|
|          |          |                         |           |                      | Index No.     | Page |
| C2018155 | C2168155 | Transformer - 235V/105V | 1 → 1     | X/X                  | 35            | 65   |
| C2032018 | C2162018 | Transformer Bracket     | 1 → 1     | X/X                  | 42            | 65   |

X/O as a set

To meet new safety standard, the transformer for the 220/240V machines has been changed. Due to this modification, the transformer bracket has also been changed.

S. Hamano, Assistant General Manager  
 Technical Support Department

| MODEL NAME   | V/Hz        | DESTINATION  | CODE    | SERIAL NUMBER              |
|--------------|-------------|--------------|---------|----------------------------|
| Ges 5330     | 120/60      | USA, Canada  | C212-12 | From August '93 Production |
| Ges 5330     | 110/60      | Taiwan       | C212-13 | From August '93 Production |
| Rex 1260     | 110/60      | Taiwan       | C212-14 | From August '93 Production |
| Rex 1260     | 120/60      | USA, Canada  | C212-15 | From August '93 Production |
| NSA CP330    | 120/60      | USA, Canada  | C212-16 | From August '93 Production |
| Ricoh VT2300 | 120/60      | USA, Canada  | C212-17 | From August '93 Production |
| Ricoh VT2300 | 110/60      | Taiwan       | C212-19 | From August '93 Production |
| Ges 5330     | 220, 240/50 | Europe, Asia | C212-22 | 50513070001                |
| Rex 1260     | 220, 240/50 | Europe, Asia | C212-24 | From August '93 Production |
| NSA CP330    | 220, 240/50 | Europe, Asia | C212-25 | From August '93 Production |
| Ricoh VT2300 | 220, 240/50 | Europe       | C212-27 | From August '93 Production |
| Ricoh VT2300 | 220, 240/50 | Asia         | C212-29 | From August '93 Production |
| Ricoh VT2500 | 120/60      | USA, Canada  | C213-17 | From August '93 Production |
| Ricoh VT2500 | 110/60      | Taiwan       | C213-19 | From August '93 Production |
| Ricoh VT2500 | 220, 240/50 | Europe       | C213-27 | From August '93 Production |
| Ricoh VT2500 | 220, 240/50 | Asia         | C213-29 | From August '93 Production |

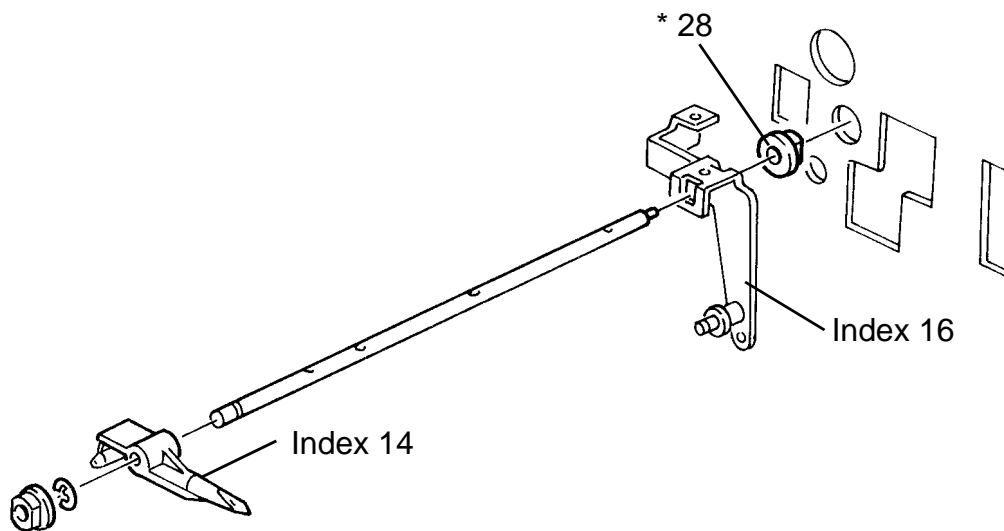
|                                |   |                |                             |                      |
|--------------------------------|---|----------------|-----------------------------|----------------------|
| <b>Model</b>                   | VT2300 / 2500, Ges 5330, Rex1260, NSA CP330 | <b>Volt/Hz</b> | <b>Date of Modification</b> | <b>Serial Number</b> |
| <b>Modified Article</b>        | Parts Catalog                               |                |                             |                      |
| <b>Reason for Modification</b> | Parts Catalog Correction                    |                |                             |                      |
|                                |   |                |                             |                      |
|                                |   |                |                             |                      |

Correct your parts catalog as follows:

**Page 31 PRESS ROLLER SECTION**

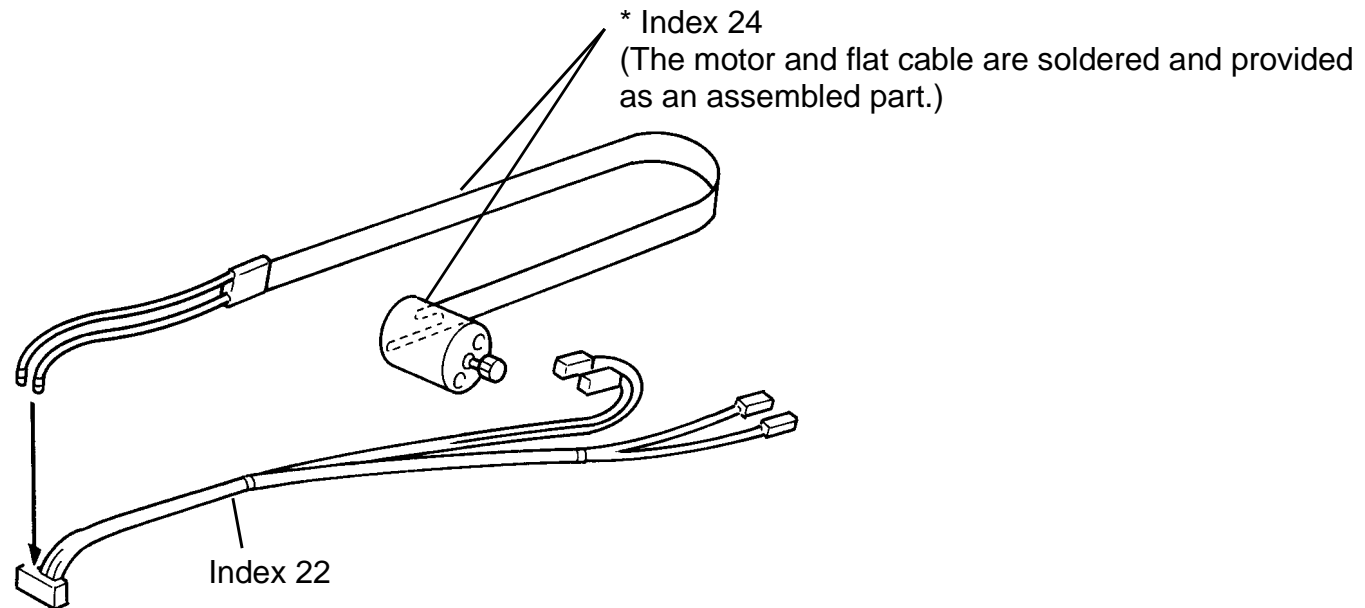
Add the following part:

| New Index | Part Number | Description       | Q'ty |
|-----------|-------------|-------------------|------|
| 28        | C2032083    | Exit Pawl Bushing | 1    |



**Page 56 PLOTTER / MASTER FEED SECTION II**

Correct the illustration for the cutter motor (C2008415) as follows:

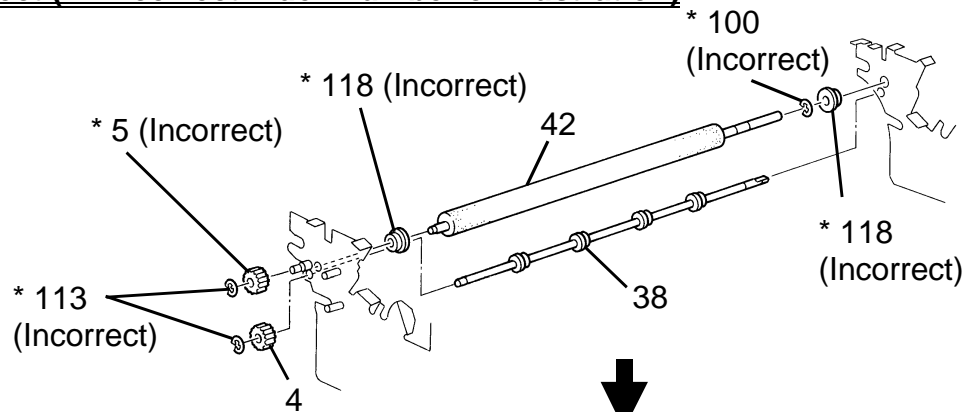


**Page 59 PLOTTER / MASTER FEED SECTION III**

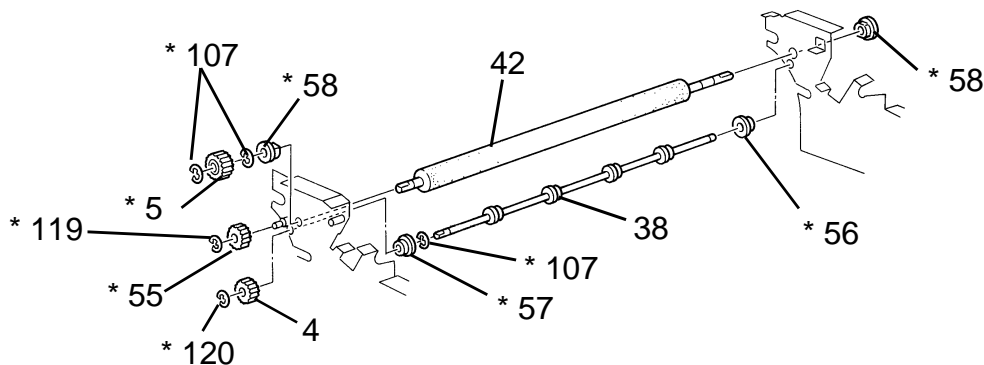
Add the following parts and correct the illustration as shown below:

| New Index | P/N       | Description              | Q'ty |
|-----------|-----------|--------------------------|------|
| 55        | C2002338  | Gear - 20T               | 1    |
| 56        | 53241658  | Bushing - 4 x 8 x 4.5 mm | 1    |
| 57        | H0022226  | Bushing - Head Roller    | 1    |
| 58        | H0121181  | Bushing - M6             | 2    |
| 119       | 07200020Z | Retaining Ring - M2      | 1    |
| 120       | 07200025Z | Retaining Ring - M2.5    | 1    |

**Incorrect (\* : Incorrect index number or illustration)**



**Correct (\* : New index number or corrected illustration)**



M. Iwasa, Manager  
 Technical Support Department

| MODEL NAME   | V/Hz        | DESTINATION  | CODE    | SERIAL NUMBER |
|--------------|-------------|--------------|---------|---------------|
| Ges 5330     | 120/60      | USA, Canada  | C212-12 |               |
| Ges 5330     | 110/60      | Taiwan       | C212-13 |               |
| Rex 1260     | 110/60      | Taiwan       | C212-14 |               |
| Rex 1260     | 120/60      | USA, Canada  | C212-15 |               |
| NSA CP330    | 120/60      | USA, Canada  | C212-16 |               |
| Ricoh VT2300 | 120/60      | USA, Canada  | C212-17 |               |
| Ricoh VT2300 | 110/60      | Taiwan       | C212-19 |               |
| Ges 5330     | 220, 240/50 | Europe, Asia | C212-22 |               |
| Rex 1260     | 220, 240/50 | Europe, Asia | C212-24 |               |
| NSA CP330    | 220, 240/50 | Europe, Asia | C212-25 |               |
| Ricoh VT2300 | 220, 240/50 | Europe       | C212-27 |               |
| Ricoh VT2300 | 220, 240/50 | Asia         | C212-29 |               |
| Ricoh VT2500 | 120/60      | USA, Canada  | C213-17 |               |
| Ricoh VT2500 | 110/60      | Taiwan       | C213-19 |               |
| Ricoh VT2500 | 220, 240/50 | Europe       | C213-27 |               |
| Ricoh VT2500 | 220, 240/50 | Asia         | C213-29 |               |



| <b>Model</b>                   |                      | VT2300 / 2500, Ges 5330, Rex1260, NSA CP330    |                                |             |                          |                             | <b>Volt/Hz</b>                                  | <b>Date of Modification</b> | <b>Serial Number</b> |             |
|--------------------------------|----------------------|--|--------------------------------|-------------|--------------------------|-----------------------------|---|-----------------------------|----------------------|-------------|
| <b>Modified Article</b>        |                      |  |                                |             |                          |                             |   |                             |                      |             |
| <b>Reason for Modification</b> |                      | Due to parts standardization with other models |                                |             |                          |                             |   |                             |                      |             |
| <b>Draw No.</b>                | <b>Old Parts No.</b> | <b>New Parts No.</b>                           | <b>Description</b>             | <b>Rank</b> | <b>Q'ty Used Old→New</b> | <b>Inter-change-ability</b> | <b>Parts needed for replacement by new part</b> |                             | <b>Parts Catalog</b> |             |
|                                |                      |  |                                |             |                          |                             | <b>Part No.</b>                                 | <b>Description</b>          | <b>No.</b>           | <b>Page</b> |
|                                | C2002005             | C2222072                                       | Bottom Stay                    |             | 2 → 2                    | O/O                         |   |                             | 11                   | 11          |
|                                | C2032015             |  | Bracket                        |             | 1 → 0                    |                             |   |                             |                      |             |
|                                |                      | C2242015                                       | Image Processing Board Bracket |             | 0 → 1                    | O/O                         |   |                             | 13                   | 11          |
|                                | C2002340             |  | Washer                         |             | 1 → 0                    |                             |   |                             |                      |             |
|                                |                      | 07010030Z                                      | Flat Washer - M3               |             | 0 → 1                    | O/O                         |   |                             | 24                   | 13          |
|                                | C2012226             | C2192226                                       | Gear - 22T                     |             | 1 → 1                    | O/O                         |   |                             | 33                   | 13          |
|                                |                      |  |                                |             |                          |                             |   |                             |                      |             |
|                                |                      |  |                                |             |                          |                             |   |                             |                      |             |

Rank: A : Replace with new parts immediately. B : Replace with new parts at time of repair. C : Replace with new parts at time of overhaul.

Interchangeability:

- (1) When old and new parts are not mutually interchangeable, use additional parts or an assembly part as indicated in "Parts needed for replacement by new part" to install the new part.
- (2) The mark to the left of the slash indicates whether the old part can be used in the new machine, and the mark to the right indicates whether the new part can be used in the old machine. x = Not interchangeable o = Interchangeable

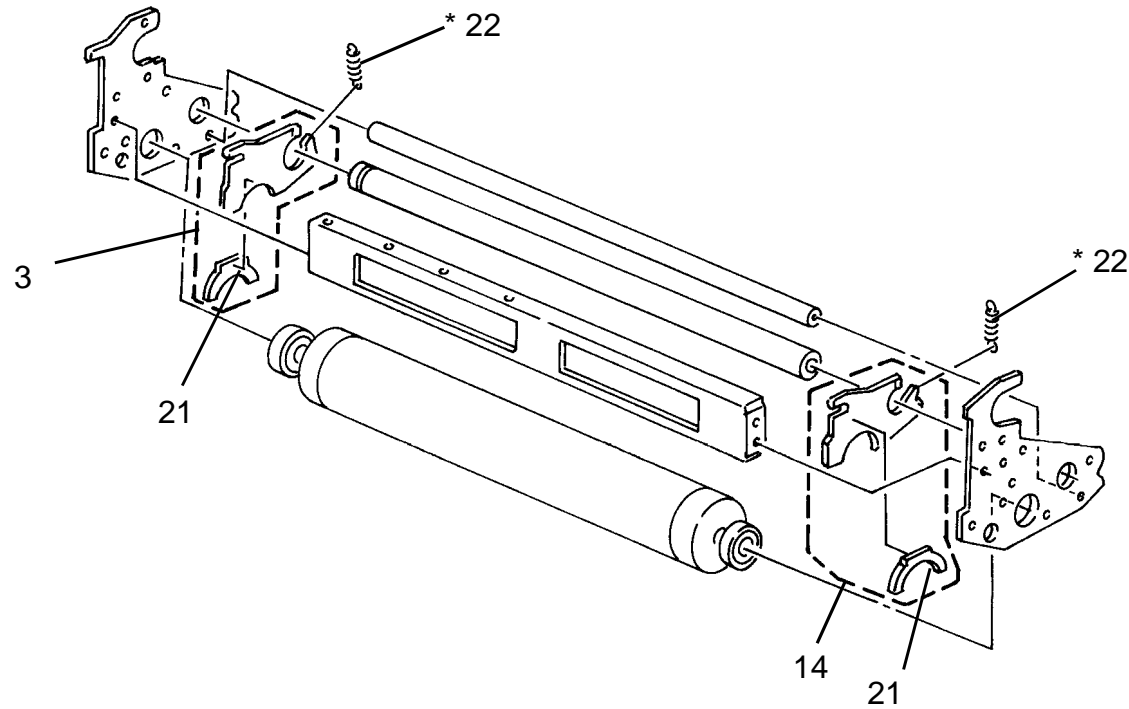


| Draw No. | Old Parts No. | New Parts No. | Description                 | Rank | Q'ty Used<br>Old → New | Inter-changeability | Part needed for replacement by new part |              | Parts Catalog |      |
|----------|---------------|---------------|-----------------------------|------|------------------------|---------------------|---|--------------|---------------|------|
|          |               |               |                             |      |                        |                     | Part No.                                | Description  | No.           | Page |
|          | C2005207      | C2195127      | Sector gear Stud            |      | 1 → 1                  | X/X                 |   | O/O as a set | 3             | 25   |
|          | C2035175      | C2245101      | Sector Gear                 |      | 1 → 1                  | X/X                 |   |              | 5             | 25   |
|          | 55015929      |               | Spacer - 5.2 mm x 16 mm x 1 |      | 1 → 0                  |                     |   |              | 1             | 25   |
|          | 56001086      |               | Spacer - 10.2 x 20          |      | 1 → 0                  |                     |   |              | 6             | 25   |
|          | 08077018      |               | Washer - M10                |      | 3 → 0                  |                     |   |              | 104           | 25   |
|          | 07200080Z     |               | Retaining Ring - M8         |      | n → n-1                |                     |   |              | 106           | 25   |
|          | 55054189      | C2156110      | Felt - Side Plate           |      | 1 → 1                  | O/O                 |   | 22           | 37            |      |
|          | C2004941      | C2194941      | Clamper Shaft               |      | 1 → 1                  | O/O                 |   | 30           | 43            |      |
|          | C2004947      | C2224947      | Clamper Rubber              |      | 2 → 2                  | O/O                 |   | 31           | 43            |      |
|          | C2074950      | C2154950      | Drum Clamper Base Ass'y     |      | 1 → 1                  | O/O                 |   | 32           | 43            |      |
|          | C2074948      | C2194948      | Drum Clamper Ass'y          |      | 1 → 1                  | O/O                 |   | 36           | 43            |      |
|          | C2134583      | C2194583      | Tetron Screen Ass'y         |      | 1 → 0                  |                     |   |              |               |      |
|          |               |               | Tetron Screen - B4          |      | 0 → 1                  | O/O                 |   | 37           | 43            |      |




Drawing No. 1

\* : New Index



M. Iwasa, Manager  
Technical Support Department

| MODEL NAME   | V/Hz        | DESTINATION  | CODE    | SERIAL NUMBER |
|--------------|-------------|--------------|---------|---------------|
| Ges 5330     | 120/60      | USA, Canada  | C212-12 |               |
| Ges 5330     | 110/60      | Taiwan       | C212-13 |               |
| Rex 1260     | 110/60      | Taiwan       | C212-14 |               |
| Rex 1260     | 120/60      | USA, Canada  | C212-15 |               |
| NSA CP330    | 120/60      | USA, Canada  | C212-16 |               |
| Ricoh VT2300 | 120/60      | USA, Canada  | C212-17 |               |
| Ricoh VT2300 | 110/60      | Taiwan       | C212-19 |               |
| Ges 5330     | 220, 240/50 | Europe, Asia | C212-22 |               |
| Rex 1260     | 220, 240/50 | Europe, Asia | C212-24 |               |
| NSA CP330    | 220, 240/50 | Europe, Asia | C212-25 |               |
| Ricoh VT2300 | 220, 240/50 | Europe       | C212-27 |               |
| Ricoh VT2300 | 220, 240/50 | Asia         | C212-29 |               |
| Ricoh VT2500 | 120/60      | USA, Canada  | C213-17 |               |
| Ricoh VT2500 | 110/60      | Taiwan       | C213-19 |               |
| Ricoh VT2500 | 220, 240/50 | Europe       | C213-27 |               |
| Ricoh VT2500 | 220, 240/50 | Asia         | C213-29 |               |

|  |  |   |                     |
|--|--|---|---------------------|
| <b>Model:</b> PRIPORT N935/N955  |  | <b>Date:</b> 15-Jun-99  | <b>No:</b> MC212029 |
| <b>Modified Article:</b> Upper and Lower Master Eject Belts  |  | <b>Prepared by:</b>  |                     |
| <b>From:</b> Priport Service Planning Section  |  | H. Kokubo   |                     |
| <b>Classification:</b> <input type="checkbox"/> Parts catalog correction <input type="checkbox"/> Vendor change <input type="checkbox"/> To meet standards<br><input type="checkbox"/> To facilitate assembly <input checked="" type="checkbox"/> To improve reliability         (      )<br><input type="checkbox"/> Part standardization <input type="checkbox"/> Other (      ) |  |   |                     |
| <b>Model Name:</b><br>Ricoh VT2300/VT2500, Gestetner 5330, RexRotary 1260, nashuatec CP330   |  |   |                     |

The upper and lower master eject belts have been changed as follows. The new parts have more tolerance against stretching when used over a long period of time.

| Old #     | New #     | Description | Qty   | Int | Page | Index |
|-----------|-----------|-------------|-------|-----|------|-------|
| C219 3605 | C219 3611 | Upper Belt  | 4 → 4 | X/O | 61   | 9     |
| C219 3606 | C219 3612 | Lower Belt  | 4 → 4 | X/O | 61   | 7     |



**Model:** PRIPORT N935/N955**Date:** 15-Jun-99**No:** MC212029**CUT IN SERIAL NUMBERS**

| <b>Model Name</b> | <b>V/Hz</b>    | <b>Destination</b> | <b>Code</b> | <b>Serial Number</b> |
|-------------------|----------------|--------------------|-------------|----------------------|
| Ges 5330          | 120/60         | USA, Canada        | C212-12     | Service Parts Only   |
| Ges 5330          | 110/60         | Taiwan             | C212-13     | Service Parts Only   |
| Rex 1260          | 110/60         | Taiwan             | C212-14     | Service Parts Only   |
| Rex 1260          | 120/60         | USA, Canada        | C212-15     | Service Parts Only   |
| Nsa CP330         | 120/60         | USA, Canada        | C212-16     | Service Parts Only   |
| Ricoh VT2300      | 120/60         | USA, Canada        | C212-17     | Service Parts Only   |
| Ricoh VT2300      | 110/60         | Taiwan             | C212-19     | Service Parts Only   |
| Ges 5330          | 220,<br>240/50 | Europe, Asia.      | C212-22     | Service Parts Only   |
| Rex 1260          | 220,<br>240/50 | Europe, Asia       | C212-24     | Service Parts Only   |
| Nsa CP330         | 220,<br>240/50 | Europe, Asia       | C212-25     | Service Parts Only   |
| Ricoh VT2300      | 220,<br>240/50 | Europe             | C212-27     | Service Parts Only   |
| Ricoh VT2300      | 220,<br>240/50 | Asia               | C212-29     | Service Parts Only   |
| Ricoh VT2500      | 120/60         | USA, Canada        | C213-17     | Service Parts Only   |
| Ricoh VT2500      | 110/60         | Taiwan             | C213-19     | Service Parts Only   |
| Ricoh VT2500      | 220,<br>240/50 | Europe             | C213-27     | Service Parts Only   |
| Ricoh VT2500      | 220,<br>240/50 | Asia               | C213-29     | Service Parts Only   |